

EL 307.30.5



Description

- tube-mounted spotlight in separated design for large-area lighting tasks
- suitable for tube diameters from \varnothing 50 mm
- luminaire rotates through 355° and light-head pivots through 140°
- outstanding ease of maintenance
- no UV and thermal emissions
- innovative thermal management with design-integrated passive cooling
- specially curved reflector with hammered optics made from ultra-pure aluminium for very high luminous efficiency
- light-head made from die-cast aluminium
- ballast housing made from aluminium
- clear safety glass
- clamping bracket for mounting via screw fixing
- 3-pole plug connection to mains
- ballast (LED converter) integrated

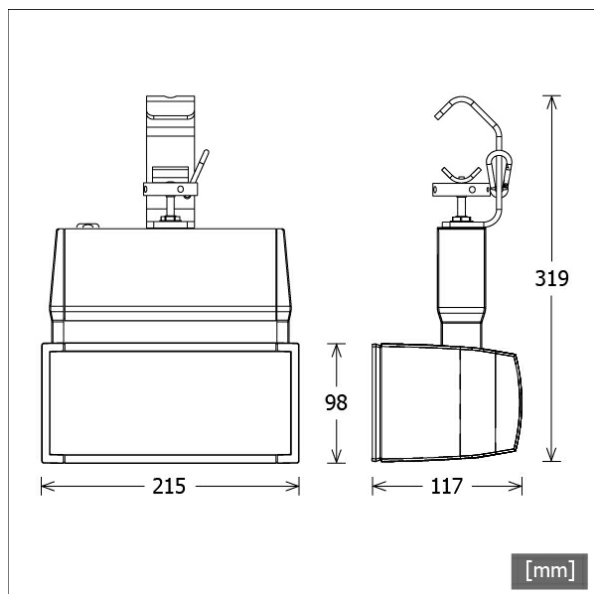
Standard options



Special options



Colours	Article no.	EAN
black	660183	4043544690029
silver	660184	4043544690036
white	660185	4043544690043

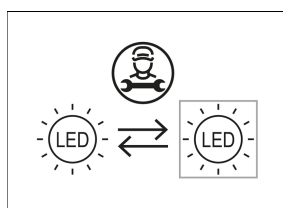


Lighting data / Norms

Lamps	LED Spot / CRI 80 / 3000 K
EPREL light sources	848104
Lifetime	L90 B50 50.000 h L80 B50 100.000 h L80 B20 50.000 h
System power	56.5 W
Luminaire luminous flux	7560 lm
System efficiency	133.80 lm/W
Module efficiency	163.73 lm/W
UGR class	>28
Beam angle	75°
Supply voltage	220 - 240 V / 50 - 60 Hz
Protection class	I
Type of protection	IP20

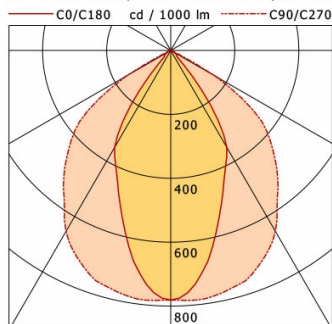
Dimensions / Weights

Length	215 mm
Width	117 mm
Height	319 mm
Net weight	2.68 kg
Gross weight	2.82 kg



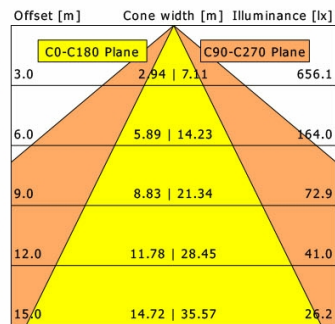
EL 307.30.5

EuroLED 300 | Tube-Mounted (1xLED 57W 830/3000K 7560lm 75°)



	C0	C90	C180	C270
0°	781	781	781	781
15°	566	766	566	766
30°	350	654	350	654
45°	29	455	29	455
60°	12	160	12	160
75°	1	6	1	6
90°	0	0	0	0

cd / 1000 lm



η	LED
Efficiency	133 lm/W
Direct/Indirect	↓ 100% / ↑ 0%
System Power	57 W
UGR	X=4H, Y=8H
Reflection factors	70/50/20
UGR C0/C180	22.2
UGR C90/C270	30.7
CIE Flux Codes	76 98 100 100 100
Ra/CRI	>80

LTS

Accessories



ZBK 97
anti-glare flaps