

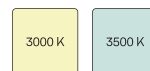
BIXXL 205.40.40.2/DALI-ST



Description

- flexible track-mounted spotlight in separated design with organically formed light-head
- luminaire rotates through 355° and light-head pivots through 90°
- outstanding ease of maintenance
- no UV and thermal emissions
- innovative thermal management with design-integrated passive cooling
- specular aluminium reflector with precise symmetrical beam characteristic for optimum light output and glare-free lighting
- light-head made from die-cast aluminium
- ballast housing made from aluminium
- clear and reflection-free EnergyVision safety glass
- 3-phase track adapter DALI (ONETrack)
- ballast (LED converter DALI, dimmable) integrated

Standard options



Colours	Article no.	EAN
silver	661698	4043544707468
black	661699	4043544707475
white	661700	4043544707482

Special options

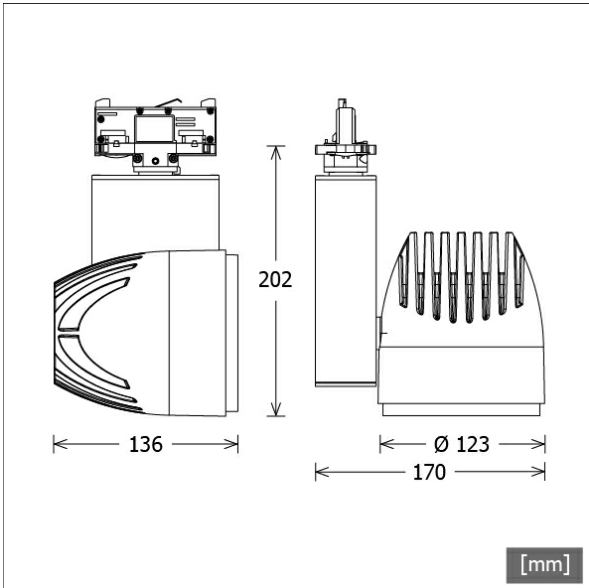


Lighting data / Norms

Lamps	LED Spot / CRI 80 / 4000 K
EPREL light sources	848105
Lifetime	L90 B50 50.000 h L80 B50 100.000 h L80 B20 50.000 h
System power	51.0 W
Luminaire luminous flux	5270 lm
System efficiency	103.33 lm/W
Module efficiency	167.61 lm/W
UGR class	≤19
Beam angle	40°
Supply voltage	220 - 240 V / 50 - 60 Hz
Protection class	I
Type of protection	IP20

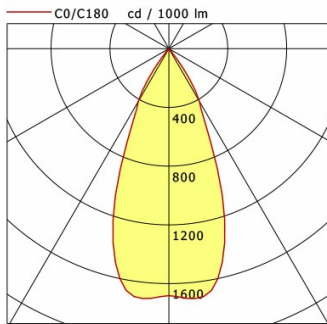
Dimensions / Weights

Length	136 mm
Width	170 mm
Height	202 mm
Diameter of light head	123 mm
Net weight	1.86 kg
Gross weight	1.96 kg



BIXXL 205.40.40.2/DALI-ST

BixxL 200 (1xLED 51W 840/4000K 5270lm 40 °)



	C0	C90	C180	C270
0°	1682	1682	1682	1682
15°	1440	1440	1440	1440
30°	414	414	414	414
45°	6	6	6	6
60°	3	3	3	3
75°	3	3	3	3
90°	0	0	0	0

cd / 1000 lm

Offset [m]	Cone width [m]	Illuminance [lx]
3.0	2.46	984.8
6.0	4.91	246.2
9.0	7.37	109.4
12.0	9.82	61.5
15.0	12.28	39.4

η	LED
Efficiency	103 lm/W
Direct/Indirect	↓ 100% / ↑ 0%
System Power	51 W
UGR	X=4H, Y=8H
Reflection factors	70/50/20
UGR C0/C180	19.4
UGR C90/C270	19.4
CIE Flux Codes	98 99 100 100 100
Ra/CRI	>80

LTS

Accessories



ST-A 10/9000A-1-ST
surface-mounted track ONETrack Advance with data bus
(length: 1000 mm)



ST-A 20/9000A-2-ST
surface-mounted track ONETrack Advance with data bus
(length: 2000 mm)



ST-A 30/9000A-3-ST
surface-mounted track ONETrack Advance with data bus
(length: 3000 mm)



ST-A 40/9000A-4-ST
surface-mounted track ONETrack Advance with data bus
(length: 4000 mm)



ST-A MONO/9000-BPU-D
3-phase surface-mounted monopoint with bus option



ST-E 10/9000-1-R
recessed track ONETrack with data bus
(length: 1000 mm)



ST-E 20/9000-2-R
recessed track ONETrack with data bus
(length: 2000 mm)



ST-E 30/9000-3-R
recessed track ONETrack with data bus
(length: 3000 mm)



ST-E 40/9000-4-R
recessed track ONETrack with data bus
(length: 4000 mm)



ST-E MONO/9000-BPU-D
3-phase recessed monopoint with bus option



ZB-OR DONGLE
Organic Response IR dongle kit



ZB-OR GATEWAY
Organic Response IoT Gateway Cascade Series

BIXXL 205.40.40.2/DALI-ST

Accessories

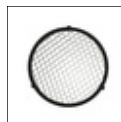


ZB-OR-T SENSOR/DALI
Organic Response sensor DALI for track mounting
(round housing)

ZB-OR-TQ SENSOR/DALI
Organic Response sensor DALI for track mounting
(rectangular housing)



ZBK 98
anti-glare flaps



ZBW 84
honeycomb louvre