

JAMIE 301.940.25.2/DALI-ST



Description

- flexible track-mounted spotlight in compact cylindrical design
- luminaire rotates through 350° and pivots through 90° via integrated articulated arm
- outstanding ease of maintenance
- no UV and thermal emissions
- thermal management via housing
- specular aluminium reflector with precise symmetrical beam characteristic for optimum light output and glare-free lighting
- cylindrical housing made from aluminium
- clear safety glass
- 3-phase track adapter DALI (ONETrack)
- ballast (LED converter DALI, dimmable) integrated

Standard options



Special options



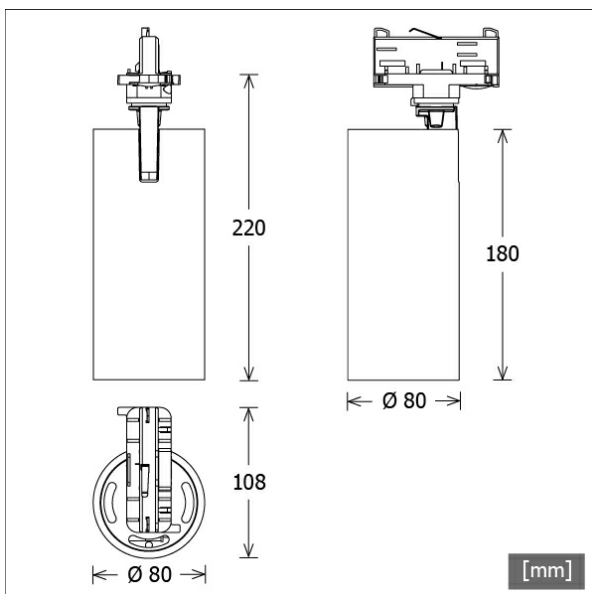
Colours	Article no.	EAN
silver	661954	4043544710017
black	661955	4043544710024
white	661956	4043544710031

Lighting data / Norms

Lamps	LED Spot / CRI 90 / 4000 K
EPREL light sources	851045
Lifetime	L90 B50 50.000 h L80 B50 100.000 h L80 B20 50.000 h
System power	16.0 W
Luminaire luminous flux	1460 lm
System efficiency	91.25 lm/W
Module efficiency	139.42 lm/W
UGR class	≤19
Beam range	Medium Flood
Beam angle	23°
Supply voltage	220 - 240 V / 50 - 60 Hz
Protection class	I
Type of protection	IP20

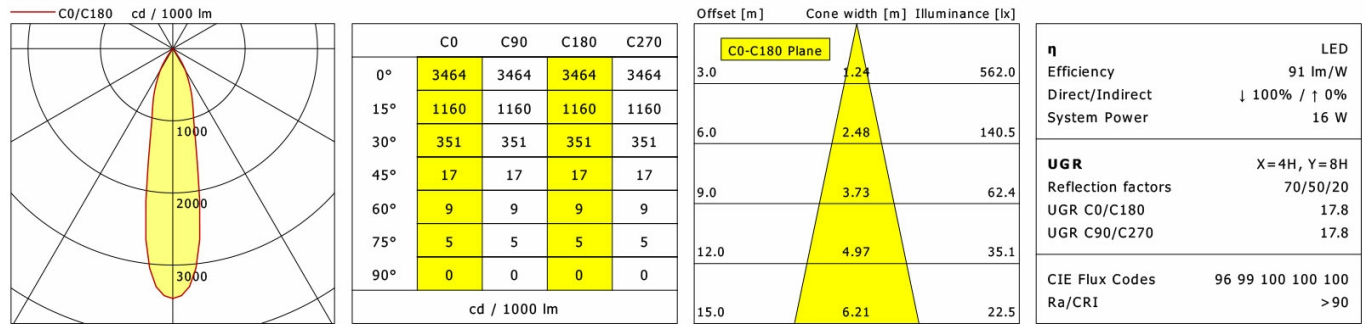
Dimensions / Weights

Length	108 mm
Width	80 mm
Height	220 mm
Diameter of light head	80 mm
Net weight	0.94 kg
Gross weight	1.02 kg



JAMIE 301.940.25.2/DALI-ST

Jamie 300 (1xLED 16W 940/4000K 1460lm 25 °)



LTS

Accessories



ST-A 10/9000A-1-ST
surface-mounted track ONETrack Advance with data bus
(length: 1000 mm)



ST-A 20/9000A-2-ST
surface-mounted track ONETrack Advance with data bus
(length: 2000 mm)



ST-A 30/9000A-3-ST
surface-mounted track ONETrack Advance with data bus
(length: 3000 mm)



ST-A 40/9000A-4-ST
surface-mounted track ONETrack Advance with data bus
(length: 4000 mm)



ST-A MONO/9000-BPU-D
3-phase surface-mounted monopoint with bus option



ST-E 10/9000-1-R
recessed track ONETrack with data bus
(length: 1000 mm)



ST-E 20/9000-2-R
recessed track ONETrack with data bus
(length: 2000 mm)



ST-E 30/9000-3-R
recessed track ONETrack with data bus
(length: 3000 mm)



ST-E 40/9000-4-R
recessed track ONETrack with data bus
(length: 4000 mm)



ST-E MONO/9000-BPU-D
3-phase recessed monopoint with bus option



ZB-OR DONGLE
Organic Response IR dongle kit



ZB-OR GATEWAY
Organic Response IoT Gateway Cascade Series

JAMIE 301.940.25.2/DALI-ST

Accessories



ZB-OR-T SENSOR/DALI
Organic Response sensor DALI for track mounting
(round housing)

ZB-OR-TQ SENSOR/DALI
Organic Response sensor DALI for track mounting
(rectangular housing)



ZBK 12
anti-glare flaps



ZBW 85
honeycomb louvre