

JAMIE 302.927.45.2



Description

- flexible track-mounted spotlight in compact cylindrical design
- luminaire rotates through 350° and pivots through 90° via integrated articulated arm
- outstanding ease of maintenance
- no UV and thermal emissions
- thermal management via housing
- specular aluminium reflector with precise symmetrical beam characteristic for optimum light output and glare-free lighting
- cylindrical housing made from aluminium
- clear safety glass
- 3-phase track adapter
- ballast (LED converter) integrated

Standard options



Special options



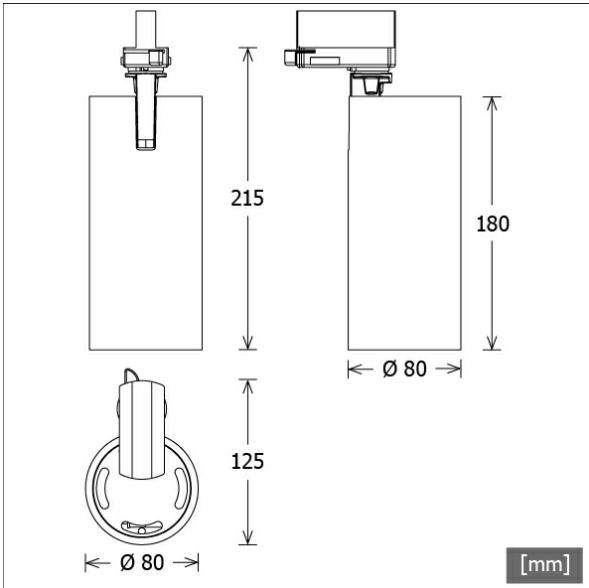
Colours	Article no.	EAN
black	658052	4043544669704
silver	658053	4043544669711
white	658054	4043544669728

Lighting data / Norms

Lamps	LED Spot / CRI 90 / 2700 K
EPREL light sources	970823
Lifetime	L90 B50 50.000 h L80 B50 100.000 h L80 B20 50.000 h
System power	24.6 W
Luminaire luminous flux	2050 lm
System efficiency	83.33 lm/W
Module efficiency	128.62 lm/W
UGR class	≤22
Beam range	Flood
Beam angle	42°
Supply voltage	220 - 240 V / 50 - 60 Hz
Protection class	I
Type of protection	IP20

Dimensions / Weights

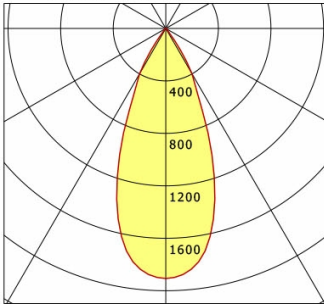
Length	125 mm
Width	80 mm
Height	215 mm
Diameter of light head	80 mm
Net weight	0.84 kg
Gross weight	0.94 kg



JAMIE 302.927.45.2

Jamie 300 (1xLED 25W 927/2700K 2050lm 45 °)

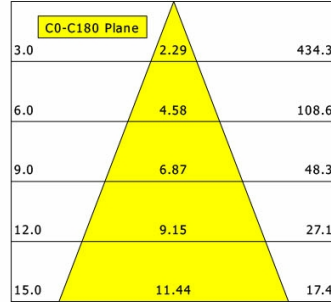
C0/C180 cd / 1000 lm



	C0	C90	C180	C270
0°	1907	1907	1907	1907
15°	1429	1429	1429	1429
30°	397	397	397	397
45°	17	17	17	17
60°	8	8	8	8
75°	6	6	6	6
90°	0	0	0	0

cd / 1000 lm

Offset [m] Cone width [m] Illuminance [lx]



η	LED
Efficiency	82 lm/W
Direct/Indirect	↓ 100% / ↑ 0%
System Power	25 W
UGR	X=4H, Y=8H
Reflection factors	70/50/20
UGR C0/C180	19.8
UGR C90/C270	19.8
CIE Flux Codes	96 98 99 100 100
Ra/CRI	>90

LTS

Accessories



ST-A 10/9000A-1-ST
surface-mounted track ONETrack Advance with data bus
(length: 1000 mm)



ST-A 20/9000A-2-ST
surface-mounted track ONETrack Advance with data bus
(length: 2000 mm)



ST-A 30/9000A-3-ST
surface-mounted track ONETrack Advance with data bus
(length: 3000 mm)



ST-A 40/9000A-4-ST
surface-mounted track ONETrack Advance with data bus
(length: 4000 mm)



ST-A MONO/9000-BPU-D
3-phase surface-mounted monopoint with bus option



ST-E 10/9000-1-R
recessed track ONETrack with data bus
(length: 1000 mm)



ST-E 20/9000-2-R
recessed track ONETrack with data bus
(length: 2000 mm)



ST-E 30/9000-3-R
recessed track ONETrack with data bus
(length: 3000 mm)



ST-E 40/9000-4-R
recessed track ONETrack with data bus
(length: 4000 mm)



ST-E MONO/9000-BPU-D
3-phase recessed monopoint with bus option



ZBK 12
anti-glare flaps



ZBW 85
honeycomb louvre