

JAMIE 302.930.45.2/DALI-EU



Description

- flexible track-mounted spotlight in compact cylindrical design
- luminaire rotates through 350° and pivots through 90° via integrated articulated arm
- outstanding ease of maintenance
- no UV and thermal emissions
- thermal management via housing
- specular aluminium reflector with precise symmetrical beam characteristic for optimum light output and glare-free lighting
- cylindrical housing made from aluminium
- clear safety glass
- 3-phase track adapter DALI (Eutrac)
- ballast (LED converter DALI, dimmable) integrated

Standard options



Special options



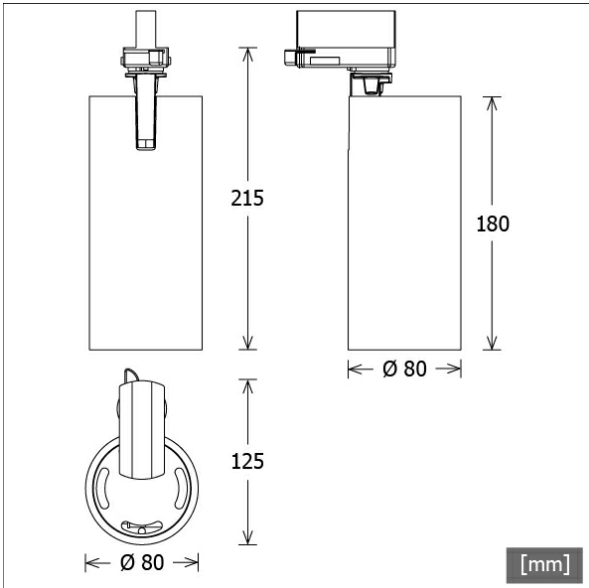
Colours	Article no.	EAN
black	658079	4043544669971
silver	658080	4043544669988
white	658081	4043544669995

Lighting data / Norms

Lamps	LED Spot / CRI 90 / 3000 K
EPREL light sources	851296
Lifetime	L90 B50 50.000 h L80 B50 100.000 h L80 B20 50.000 h
System power	24.6 W
Luminaire luminous flux	2170 lm
System efficiency	88.21 lm/W
Module efficiency	134.21 lm/W
UGR class	≤22
Beam range	Flood
Beam angle	42°
Supply voltage	220 - 240 V / 50 - 60 Hz
Protection class	I
Type of protection	IP20

Dimensions / Weights

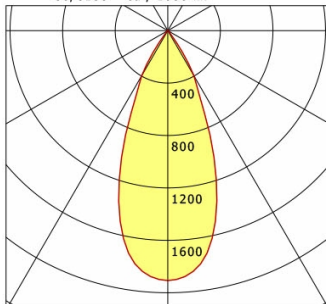
Length	125 mm
Width	80 mm
Height	215 mm
Diameter of light head	80 mm
Net weight	0.90 kg
Gross weight	1.00 kg



JAMIE 302.930.45.2/DALI-EU

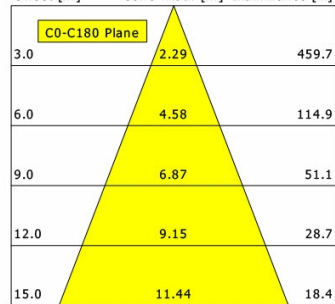
Jamie 300 (1xLED 25W 930/3000K 2170lm 45 °)

C0/C180 cd / 1000 lm



	C0	C90	C180	C270
0°	1907	1907	1907	1907
15°	1429	1429	1429	1429
30°	397	397	397	397
45°	17	17	17	17
60°	8	8	8	8
75°	6	6	6	6
90°	0	0	0	0
cd / 1000 lm				

Offset [m] Cone width [m] Illuminance [lx]



η	LED
Efficiency	87 lm/W
Direct/Indirect	↓ 100% / ↑ 0%
System Power	25 W
UGR	X=4H, Y=8H
Reflection factors	70/50/20
UGR C0/C180	20.0
UGR C90/C270	20.0
CIE Flux Codes	96 98 99 100 100
Ra/CRI	>90

LTS

Accessories



ZBK 12
anti-glare flaps



ZBW 85
honeycomb louvre