

# JETT 152.930.15



## Description

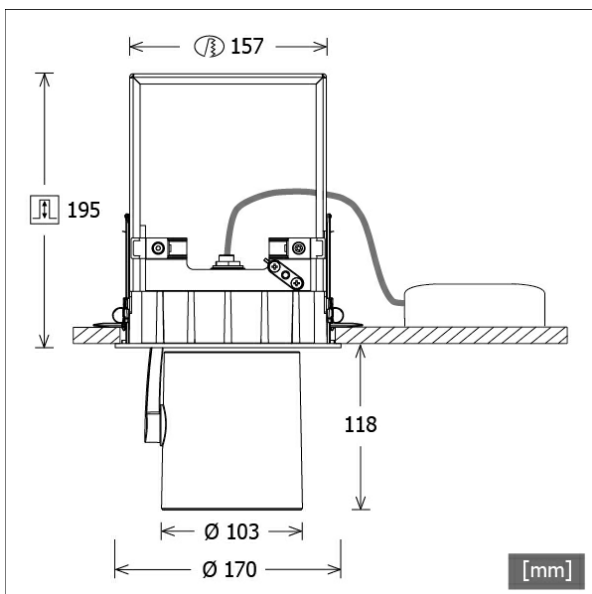
- flexible recessed spotlight with cylindrical light-head
- light-head completely extracts, rotates through 355° and pivots through 90°
- outstanding ease of maintenance
- no UV and thermal emissions
- light-head made from die-cast aluminium
- innovative thermal management with design-integrated passive cooling
- specular aluminium reflector with precise symmetrical beam characteristic for optimum light output and glare-free lighting
- recessed frame made from aluminium and sheet steel
- concealing plate for ceiling opening
- clear safety glass
- tool-free ceiling mounting via automatic quick clamping (automatic adjustment of the ceiling thickness)
- connection to ballast via luminaire cable with integrated plug
- ballast (LED converter) included (external placement)

Colours	Article no.	EAN
silver	667633	4043544769725
black	667634	4043544769732
white	667635	4043544769749

## Standard options



## Special options



## Lighting data / Norms

Lamps	LED Spot / CRI 90 / 3000 K
Lifetime	L90 B50 50.000 h L80 B50 100.000 h L80 B20 50.000 h
System power	20.8 W
Luminaire luminous flux	2280 lm
System efficiency	109.61 lm/W
Module efficiency	141.19 lm/W
UGR class	≤19
Beam angle	15°
Supply voltage	220 - 240 V / 50 - 60 Hz
Protection class	III
Type of protection	IP20

## Dimensions / Weights

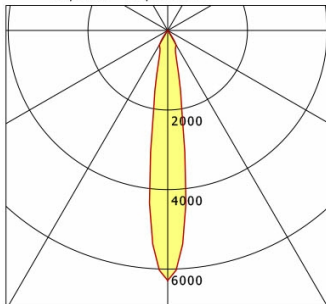
Outer diameter	170 mm
Height	198 mm
Cut-out (Ø)	157 mm
Ceiling thickness	5.0 - 50.0 mm
Recessed depth	195 mm
Diameter of light head	103 mm
Net weight	1.87 kg
Gross weight	1.97 kg



# JETT 152.930.15

Jett 150 (1xLED 21W 930/3000K 2280lm 15°)

C0/C180 cd / 1000 lm



	C0	C90	C180	C270
0°	6286	6286	6286	6286
15°	970	970	970	970
30°	408	408	408	408
45°	9	9	9	9
60°	7	7	7	7
75°	0	0	0	0
90°	0	0	0	0
cd / 1000 lm				

Offset [m] Cone width [m] Illuminance [lx]

Offset [m]	Cone width [m]	Illuminance [lx]
3.0	0.84	1592.6
6.0	1.67	398.1
9.0	2.51	177.0
12.0	3.34	99.5
15.0	4.18	63.7

<b>η</b>	LED
Efficiency	109 lm/W
Direct/Indirect	↓ 100% / ↑ 0%
System Power	21 W
<b>UGR</b>	X=4H, Y=8H
Reflection factors	70/50/20
UGR C0/C180	17.3
UGR C90/C270	17.3
CIE Flux Codes	98 100 100 100 100
Ra/CRI	>90

LTS

## Accessories



**FOCUS 100.1**  
superior optic with focusable biconvex lens for accent lighting



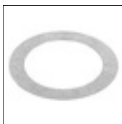
**ZBK 96**  
anti-glare flaps



**ZBW 83**  
honeycomb louvre



**ZDAR 158.200-265**  
compensation ring for ceiling cut-outs from 200 to 265 mm



**ZDVR 0157**  
ceiling reinforcement ring