

JETT 152.940.25



Description

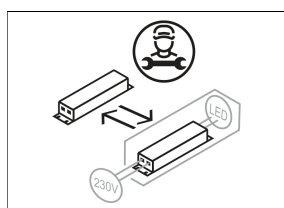
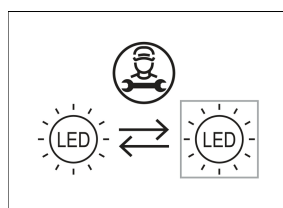
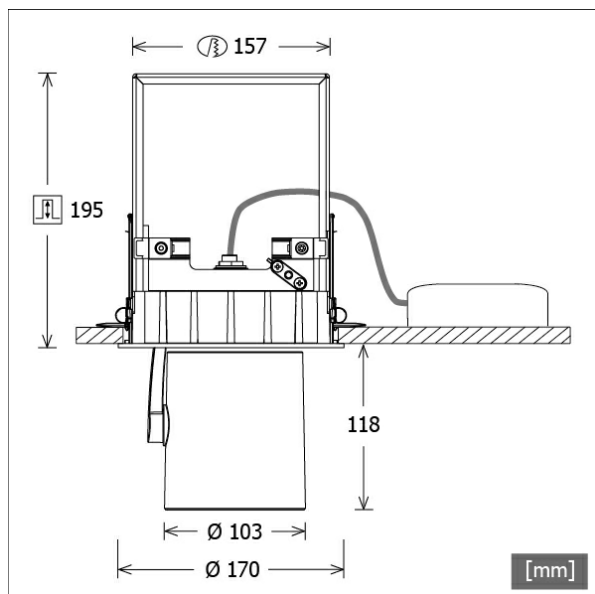
- flexible recessed spotlight with cylindrical light-head
- light-head completely extracts, rotates through 355° and pivots through 90°
- outstanding ease of maintenance
- no UV and thermal emissions
- light-head made from die-cast aluminium
- innovative thermal management with design-integrated passive cooling
- specular aluminium reflector with precise symmetrical beam characteristic for optimum light output and glare-free lighting
- recessed frame made from aluminium and sheet steel
- concealing plate for ceiling opening
- clear safety glass
- tool-free ceiling mounting via automatic quick clamping (automatic adjustment of the ceiling thickness)
- connection to ballast via luminaire cable with integrated plug
- ballast (LED converter) included (external placement)

Colours	Article no.	EAN
silver	665307	4043544744784
black	665308	4043544744791
white	665309	4043544744807

Standard options



Special options



Lighting data / Norms

Lamps	LED Spot / CRI 90 / 4000 K
Lifetime	L90 B50 50.000 h L80 B50 100.000 h L80 B20 50.000 h
System power	20.8 W
Luminaire luminous flux	2400 lm
System efficiency	115.38 lm/W
Module efficiency	149.15 lm/W
UGR class	≤19
Beam angle	25°
Supply voltage	220 - 240 V / 50 - 60 Hz
Protection class	III
Type of protection	IP20

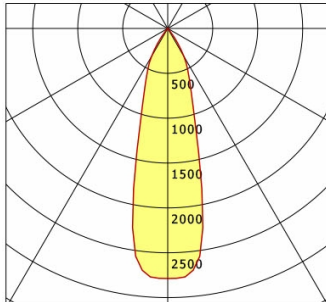
Dimensions / Weights

Outer diameter	170 mm
Height	198 mm
Cut-out (Ø)	157 mm
Ceiling thickness	5.0 - 50.0 mm
Recessed depth	195 mm
Diameter of light head	103 mm
Net weight	1.87 kg
Gross weight	1.97 kg

JETT 152.940.25

Jett 150 (1xLED 21W 940/4000K 2400lm 25°)

C0/C180 cd / 1000 lm



	C0	C90	C180	C270
0°	2787	2787	2787	2787
15°	1252	1252	1252	1252
30°	360	360	360	360
45°	13	13	13	13
60°	11	11	11	11
75°	6	6	6	6
90°	0	0	0	0
cd / 1000 lm				

Offset [m] Cone width [m] Illuminance [lx]

Offset [m]	Cone width [m]	Illuminance [lx]
3.0	1.52	743.2
6.0	3.05	185.8
9.0	4.57	82.6
12.0	6.10	46.4
15.0	7.62	29.7

η	LED
Efficiency	115 lm/W
Direct/Indirect	↓ 100% / ↑ 0%
System Power	21 W
UGR	X=4H, Y=8H
Reflection factors	70/50/20
UGR C0/C180	19.3
UGR C90/C270	19.3
CIE Flux Codes	97 98 100 100 100
Ra/CRI	>90

LTS

Accessories



FOCUS 100.1
superior optic with focusable biconvex lens for accent lighting



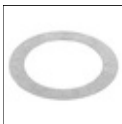
ZBK 96
anti-glare flaps



ZBW 83
honeycomb louvre



ZDAR 158.200-265
compensation ring for ceiling cut-outs from 200 to 265 mm



ZDVR 0157
ceiling reinforcement ring