

LK-LED 070.0740.1685.1



Description

- light-insert with integrated LED strips
- reflector made from white-painted aluminium
- no UV and thermal emissions
- almost all strip light lengths can be realised
- 5-pole through-wiring kit included
- curved PMMA diffuser for uniform light distribution
- tool-free snapping into Lichtkanal profile
- 5-pole terminal block, pre-fabricated for through-wiring
- ballast (LED converter) integrated

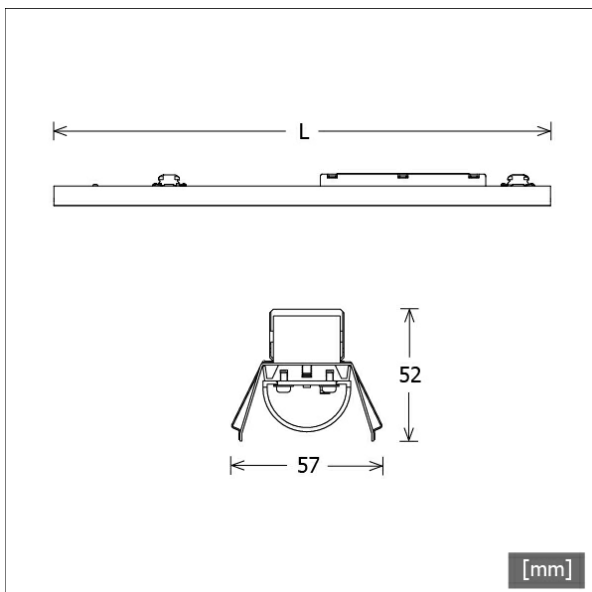
Notes

The linear thermal expansion of the aluminium profile is about 0.3 mm per meter at $dT = 10$ Kelvin.

Standard options



Colours	Article no.	EAN
	664840	4043544739766

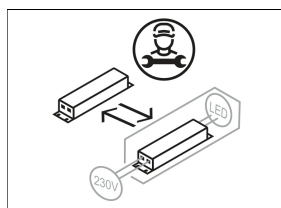


Lighting data / Norms

Lamps	LED linear / CRI 80 / 4000 K
Lifetime	L90 B50 50.000 h L80 B50 100.000 h L80 B20 50.000 h
System power	18.8 W
Luminaire luminous flux	max. 2040 lm
System efficiency	108.51 lm/W
Module efficiency	164.17 lm/W
UGR class	≤25
Supply voltage	220 - 240 V / 50 - 60 Hz
Protection class	I

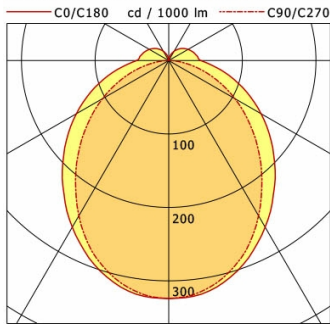
Dimensions / Weights

Length	1685 mm
Width	57 mm
Height	52 mm
Net weight	2.12 kg
Gross weight	2.24 kg



LK-LED 070.0740.1685.1

Lichtkanal 070 - Light-Insert (AOV-001/003/005.1, 1xLED 19W 840/4000K 2040lm)



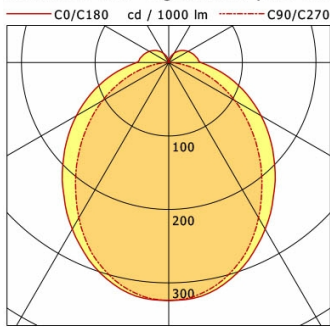
	C0	C90	C180	C270
0°	324	324	324	324
30°	262	244	262	244
60°	145	104	145	104
90°	43	2	43	2
120°	30	1	30	1
150°	15	1	15	1
180°	0	0	0	0
cd / 1000 lm				

Offset [m]	Cone width [m]		Illuminance [lx]
3.0	8.79	6.49	73.4
6.0	17.57	12.98	18.4
9.0	26.36	19.48	8.2
12.0	35.15	25.97	4.6
15.0	43.94	32.46	2.9

η	LED
Efficiency	107 lm/W
Direct/Indirect	↓ 89% / ↑ 11%
System Power	19 W
UGR	X=4H, Y=8H
Reflection factors	70/50/20
UGR C0/C180	23.8
UGR C90/C270	20.6
CIE Flux Codes	46 75 92 89 100
Ra/CRI	>80

LTS

Lichtkanal 070 - Light-Insert (AOV-002/005.2, 1xLED 19W 840/4000K 2040lm)



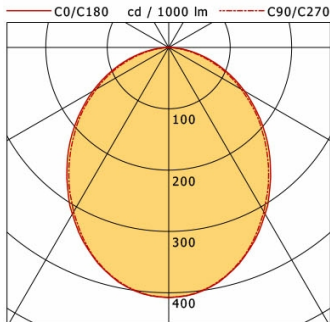
	C0	C90	C180	C270
0°	324	324	324	324
30°	262	244	262	244
60°	145	104	145	104
90°	43	2	43	2
120°	30	1	30	1
150°	15	1	15	1
180°	0	0	0	0
cd / 1000 lm				

Offset [m]	Cone width [m]		Illuminance [lx]
3.0	8.79	6.49	73.4
6.0	17.57	12.98	18.4
9.0	26.36	19.48	8.2
12.0	35.15	25.97	4.6
15.0	43.94	32.46	2.9

η	LED
Efficiency	107 lm/W
Direct/Indirect	↓ 89% / ↑ 11%
System Power	19 W
UGR	X=4H, Y=8H
Reflection factors	70/50/20
UGR C0/C180	23.8
UGR C90/C270	20.6
CIE Flux Codes	46 75 92 89 100
Ra/CRI	>80

LTS

Lichtkanal 070 - Light-Insert (AOB, 1xLED 19W 840/4000K 1880lm)



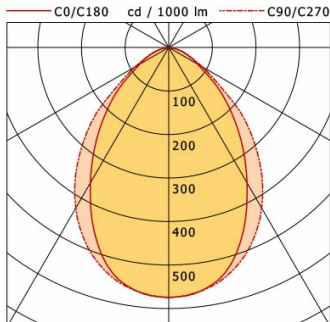
	C0	C90	C180	C270
0°	408	408	408	408
15°	381	381	381	381
30°	314	310	314	310
45°	229	223	229	223
60°	143	136	143	136
75°	62	55	62	55
90°	1	0	1	0
cd / 1000 lm				

Offset [m]	Cone width [m]		Illuminance [lx]
3.0	6.98	6.72	85.2
6.0	13.96	13.44	21.3
9.0	20.94	20.15	9.5
12.0	27.92	26.87	5.3
15.0	34.90	33.59	3.4

η	LED
Efficiency	99 lm/W
Direct/Indirect	↓ 100% / ↑ 0%
System Power	19 W
UGR	X=4H, Y=8H
Reflection factors	70/50/20
UGR C0/C180	22.0
UGR C90/C270	21.7
CIE Flux Codes	51 81 96 100 100
Ra/CRI	>80

LTS

Lichtkanal 070 - Light-Insert (APB, 1xLED 19W 840/4000K 1750lm)



	C0	C90	C180	C270
0°	575	575	575	575
15°	526	538	526	538
30°	359	426	359	426
45°	197	258	197	258
60°	76	89	76	89
75°	26	28	26	28
90°	0	0	0	0
cd / 1000 lm				

Offset [m]	Cone width [m]		Illuminance [lx]
3.0	4.41	5.49	111.7
6.0	8.82	10.99	27.9
9.0	13.23	16.48	12.4
12.0	17.64	21.97	7.0
15.0	22.05	27.46	4.5

η	LED
Efficiency	92 lm/W
Direct/Indirect	↓ 100% / ↑ 0%
System Power	19 W
UGR	X=4H, Y=8H
Reflection factors	70/50/20
UGR C0/C180	17.6
UGR C90/C270	18.4
CIE Flux Codes	65 90 98 100 100
Ra/CRI	>80

LTS