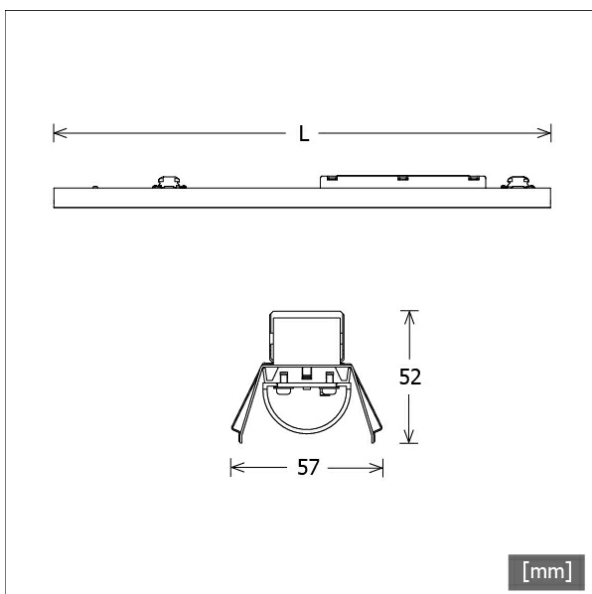


LK-LED 070.1040.1125.1/DALI/NO



Colours	Article no.	EAN
	664870	4043544740069



Description

- light-insert with integrated LED strips
- reflector made from white-painted aluminium
- no UV and thermal emissions
- almost all strip light lengths can be realised
- 5-pole through-wiring kit included
- emergency lighting LED Driver with DALI interface and automatic test function
- non-maintained operation
- dALI interface for controlled testing and monitoring (if the DALI bus is not connected, the unit will operate in self-test mode)
- rated duration: 3 h
- automatic shutdown of the output if LED load is out of range
- constant power output: 2.5 W
- luminous flux: 260 lm
- patented addressing function (EZ easy addressing)
- electronic multi-level charge system
- connection options
- batteries: high-temperature cells (NiMH batteries 4 Ah / 3.6 V)
- typ. power factor at 230 V / 50 Hz: 0.45
- time to light: < 0.25 s from detection of emergency event
- overvoltage protection :320 V for 1 h
- ambient temperature: -20...+45 °C
- lifetime: 4 years with maximum 2 discharges every year
- mains voltage changeover threshold according to EN 60598-2-22
- curved PMMA diffuser for uniform light distribution
- tool-free snapping into Lichtkanal profile
- 5-pole terminal block, pre-fabricated for through-wiring
- ballast (LED converter DALI, dimmable) integrated

Notes

The linear thermal expansion of the aluminium profile is about 0.3 mm per meter at $dT = 10$ Kelvin.

Standard options



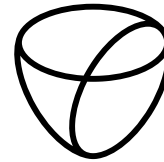
Special options



Lighting data / Norms

Lamps	LED linear / CRI 80 / 4000 K
EPREL light sources	833878 833873
	L90 B50 50.000 h
	L80 B50 100.000 h
	L80 B20 50.000 h
Lifetime	
System power	18.3 W
Luminaire luminous flux	max. 2020 lm
System efficiency	94.53 lm/W
Module efficiency	187.99 lm/W
UGR class	≤28

LK-LED 070.1040.1125.1/DALI/NO



LTS
LOVE TO SHINE

Supply voltage
Protection class

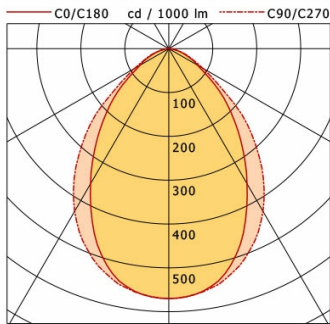
220 - 240 V / 50 - 60 Hz
I

Dimensions / Weights

Length	1125 mm
Width	57 mm
Height	52 mm
Net weight	1.95 kg
Gross weight	2.05 kg

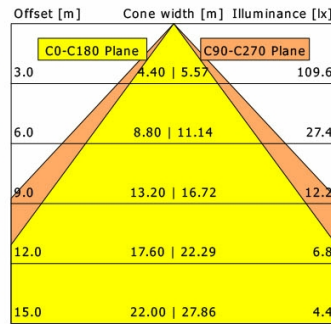
LK-LED 070.1040.1125.1/DALI/NO

Lichtkanal 070 - Light-Insert (APB, 1xLED 18W 840/4000K 1730lm)



	C0	C90	C180	C270
0°	570	570	570	570
15°	521	535	521	535
30°	356	428	356	428
45°	195	260	195	260
60°	76	89	76	89
75°	26	28	26	28
90°	0	0	0	0

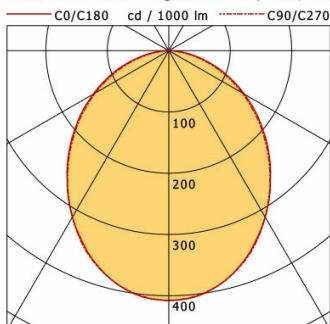
cd / 1000 lm



η	LED
Efficiency	96 lm/W
Direct/Indirect	↓ 100% / ↑ 0%
System Power	18 W
UGR	X=4H, Y=8H
Reflection factors	70/50/20
UGR C0/C180	18.9
UGR C90/C270	19.9
CIE Flux Codes	65 90 98 100 100
Ra/CRI	>80

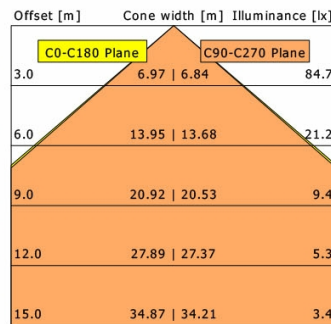
LTS

Lichtkanal 070 - Light-Insert (AOB, 1xLED 18W 840/4000K 1870lm)



	C0	C90	C180	C270
0°	408	408	408	408
15°	382	382	382	382
30°	314	314	314	314
45°	229	226	229	226
60°	142	138	142	138
75°	61	56	61	56
90°	1	0	1	0

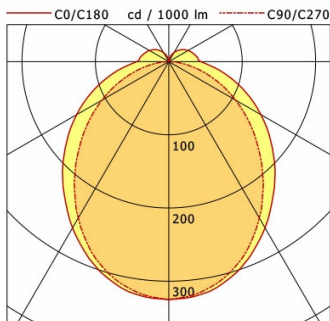
cd / 1000 lm



η	LED
Efficiency	104 lm/W
Direct/Indirect	↓ 100% / ↑ 0%
System Power	18 W
UGR	X=4H, Y=8H
Reflection factors	70/50/20
UGR C0/C180	23.4
UGR C90/C270	23.0
CIE Flux Codes	51 81 96 100 100
Ra/CRI	>80

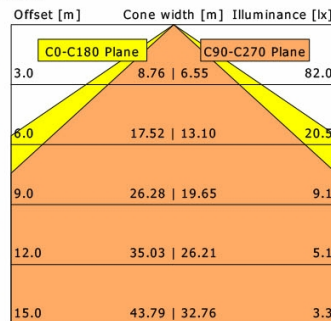
LTS

Lichtkanal 070 - Light-Insert (AOV-001/003/005.1, 1xLED 18W 840/4000K 2270lm)



	C0	C90	C180	C270
0°	325	325	325	325
30°	262	247	262	247
60°	145	105	145	105
90°	43	1	43	1
120°	30	1	30	1
150°	14	1	14	1
180°	0	0	0	0

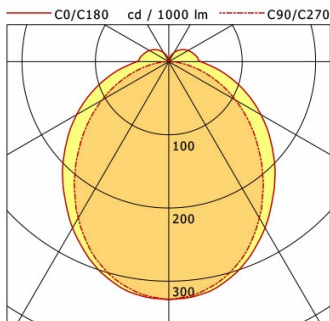
cd / 1000 lm



η	LED
Efficiency	126 lm/W
Direct/Indirect	↓ 89% / ↑ 11%
System Power	18 W
UGR	X=4H, Y=8H
Reflection factors	70/50/20
UGR C0/C180	25.6
UGR C90/C270	22.3
CIE Flux Codes	46 75 92 89 100
Ra/CRI	>80

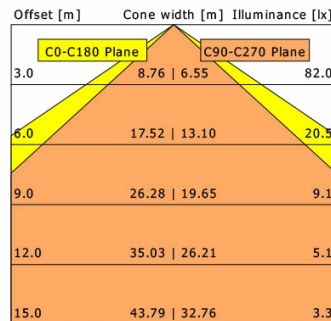
LTS

Lichtkanal 070 - Light-Insert (AOV-002/005.2, 1xLED 18W 840/4000K 2270lm)



	C0	C90	C180	C270
0°	325	325	325	325
30°	262	247	262	247
60°	145	105	145	105
90°	43	1	43	1
120°	30	1	30	1
150°	14	1	14	1
180°	0	0	0	0

cd / 1000 lm



η	LED
Efficiency	126 lm/W
Direct/Indirect	↓ 89% / ↑ 11%
System Power	18 W
UGR	X=4H, Y=8H
Reflection factors	70/50/20
UGR C0/C180	25.6
UGR C90/C270	22.3
CIE Flux Codes	46 75 92 89 100
Ra/CRI	>80

LTS