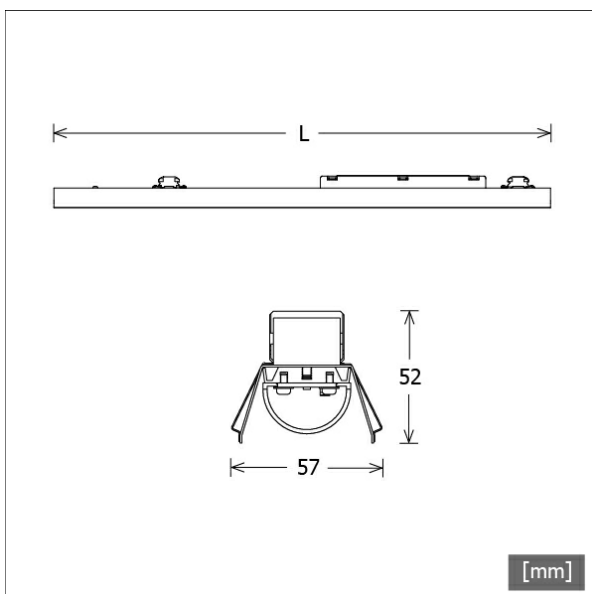


LK-LED 070.1130.1685.1/DALI/NO



Colours	Article no.	EAN
	664919	4043544740557



Description

- light-insert with integrated LED strips
- reflector made from white-painted aluminium
- no UV and thermal emissions
- almost all strip light lengths can be realised
- 5-pole through-wiring kit included
- emergency lighting LED Driver with DALI interface and automatic test function
- non-maintained operation
- dALI interface for controlled testing and monitoring (if the DALI bus is not connected, the unit will operate in self-test mode)
- rated duration: 3 h
- automatic shutdown of the output if LED load is out of range
- constant power output: 2.5 W
- luminous flux: 260 lm
- patented addressing function (EZ easy addressing)
- electronic multi-level charge system
- connection options
- batteries: high-temperature cells (NiMH batteries 4 Ah / 3.6 V)
- typ. power factor at 230 V / 50 Hz: 0.45
- time to light: < 0.25 s from detection of emergency event
- overvoltage protection :320 V for 1 h
- ambient temperature: -20...+45 °C
- lifetime: 4 years with maximum 2 discharges every year
- mains voltage changeover threshold according to EN 60598-2-22
- curved PMMA diffuser for uniform light distribution
- tool-free snapping into Lichtkanal profile
- 5-pole terminal block, pre-fabricated for through-wiring
- ballast (LED converter DALI, dimmable) integrated

Notes

The linear thermal expansion of the aluminium profile is about 0.3 mm per meter at $dT = 10$ Kelvin.

Standard options



Lighting data / Norms

Lamps	LED linear / CRI 80 / 3000 K
EPREL light sources	833899 833894
	L90 B50 50.000 h
	L80 B50 100.000 h
	L80 B20 50.000 h
Lifetime	66.0 W
System power	max. 6890 lm
Luminaire luminous flux	91.06 lm/W
System efficiency	178.58 lm/W
Module efficiency	≤28
UGR class	220 - 240 V / 50 - 60 Hz
Supply voltage	I
Protection class	

Dimensions / Weights

Lighting Systems · Lichtkanal 070 Light-Inserts LED

LK-LED 070.1130.1685.1/DALI/NO

Length

1685 mm

Width

57 mm

Height

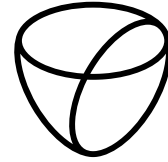
52 mm

Net weight

2.70 kg

Gross weight

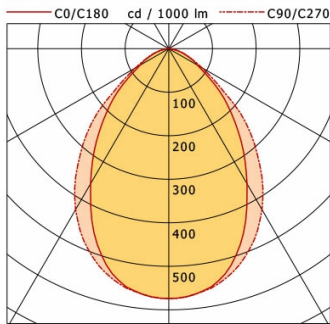
2.84 kg



LTS
LOVE TO SHINE

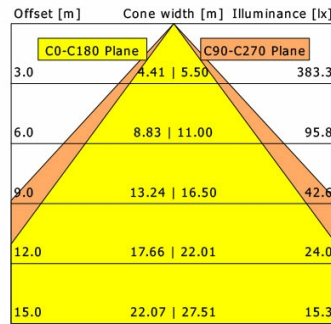
LK-LED 070.1130.1685.1/DALI/NO

Lichtkanal 070 - Light-Insert (APB, 1xLED 66W 830/3000K 6010lm)



	C0	C90	C180	C270
0°	574	574	574	574
15°	526	538	526	538
30°	358	427	358	427
45°	197	257	197	257
60°	76	88	76	88
75°	26	27	26	27
90°	0	0	0	0

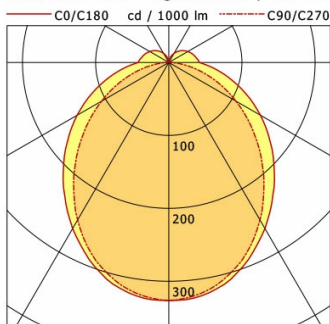
cd / 1000 lm



η	LED
Efficiency	91 lm/W
Direct/Indirect	↓ 100% / ↑ 0%
System Power	66 W
UGR	X=4H, Y=8H
Reflection factors	70/50/20
UGR C0/C180	21.9
UGR C90/C270	22.7
CIE Flux Codes	65 90 98 100 100
Ra/CRI	>80

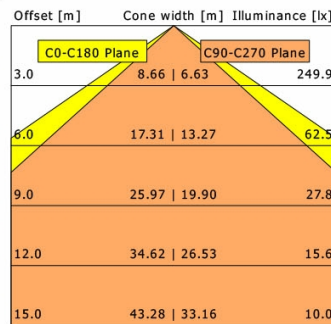
LTS

Lichtkanal 070 - Light-Insert (AOV-002/005.2, 1xLED 66W 830/3000K 6890lm)



	C0	C90	C180	C270
0°	326	326	326	326
30°	263	249	263	249
60°	145	106	145	106
90°	42	2	42	2
120°	30	1	30	1
150°	14	1	14	1
180°	0	0	0	0

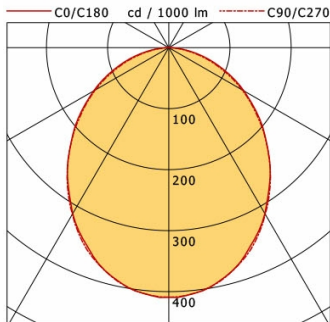
cd / 1000 lm



η	LED
Efficiency	104 lm/W
Direct/Indirect	↓ 90% / ↑ 10%
System Power	66 W
UGR	X=4H, Y=8H
Reflection factors	70/50/20
UGR C0/C180	28.0
UGR C90/C270	24.8
CIE Flux Codes	46 75 92 90 100
Ra/CRI	>80

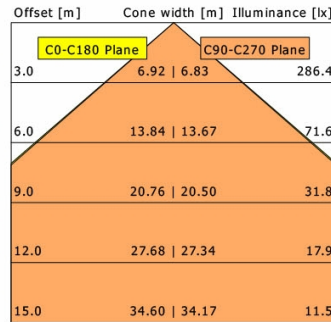
LTS

Lichtkanal 070 - Light-Insert (AOB, 1xLED 66W 830/3000K 6300lm)



	C0	C90	C180	C270
0°	409	409	409	409
15°	383	384	383	384
30°	314	315	314	315
45°	227	227	227	227
60°	142	138	142	138
75°	62	56	62	56
90°	1	0	1	0

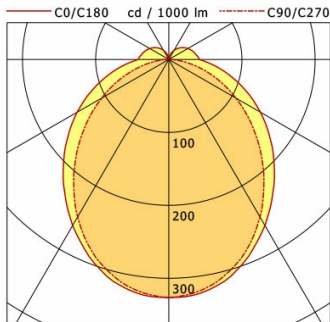
cd / 1000 lm



η	LED
Efficiency	95 lm/W
Direct/Indirect	↓ 100% / ↑ 0%
System Power	66 W
UGR	X=4H, Y=8H
Reflection factors	70/50/20
UGR C0/C180	26.2
UGR C90/C270	25.9
CIE Flux Codes	51 81 96 100 100
Ra/CRI	>80

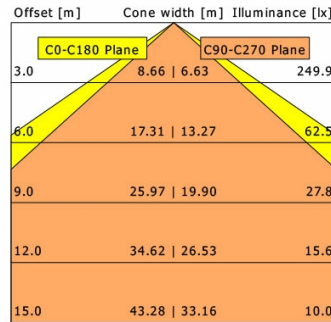
LTS

Lichtkanal 070 - Light-Insert (AOV-001/003/005.1, 1xLED 66W 830/3000K 6890lm)



	C0	C90	C180	C270
0°	326	326	326	326
30°	263	249	263	249
60°	145	106	145	106
90°	42	2	42	2
120°	30	1	30	1
150°	14	1	14	1
180°	0	0	0	0

cd / 1000 lm



η	LED
Efficiency	104 lm/W
Direct/Indirect	↓ 90% / ↑ 10%
System Power	66 W
UGR	X=4H, Y=8H
Reflection factors	70/50/20
UGR C0/C180	28.0
UGR C90/C270	24.8
CIE Flux Codes	46 75 92 90 100
Ra/CRI	>80

LTS