

Mounted

ML-A 045.1030.11 AOB



Description

- linear luminaire for direct ceiling or suspended mounting
- symmetrical light distribution and illumination
- outstanding ease of maintenance
- no UV and thermal emissions
- wire-rope suspensions (with feed-in) to be ordered separately
- housing made from aluminium
- end covers made from die-cast zinc
- opal flush acrylic glass diffuser with profile guide and tool-free snap-in technology
- direct ceiling mounting via screw fixing
- 5-pole terminal block
- ballast (LED converter) integrated

Notes

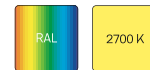
The linear thermal expansion of the aluminium profile is about 0.3 mm per meter at $dT = 10$ Kelvin. IP40 only applies in combination with mounted acrylic glass diffuser mounted acrylic glass profile.

Colours	Article no.	EAN
silver anodised	663075	4043544721402
black	663076	4043544721419
white	663077	4043544721426

Standard options



Special options

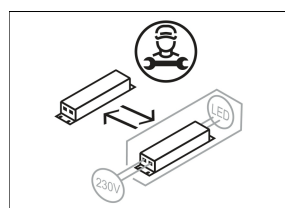
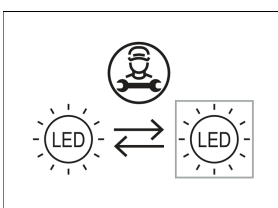
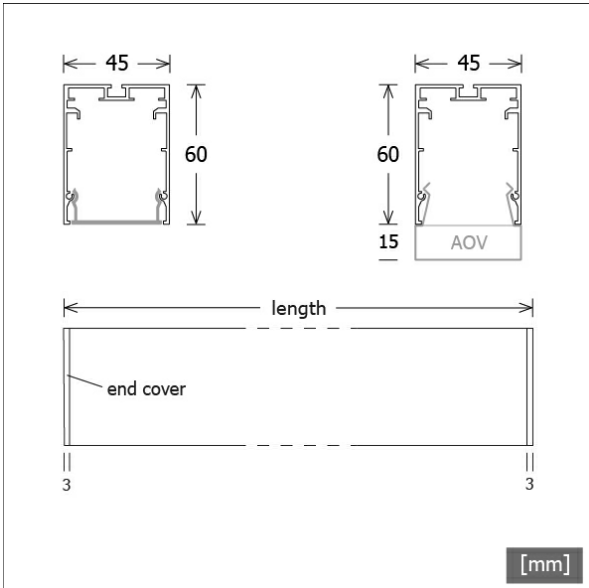


Lighting data / Norms

Lamps	LED linear / CRI 80 / 3000 K
Lifetime	L90 B50 50.000 h L80 B50 100.000 h L80 B20 50.000 h
System power	25.7 W
Luminaire luminous flux	2510 lm
System efficiency	97.66 lm/W
Module efficiency	156.66 lm/W
UGR class	≤28
Supply voltage	220 - 240 V / 50 - 60 Hz
Protection class	I
Type of protection	IP40

Dimensions / Weights

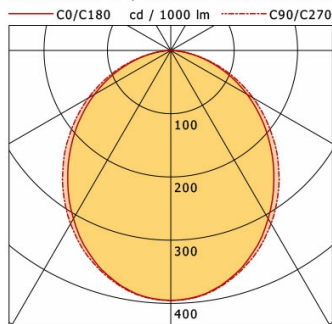
Length	1136 mm
Width	45 mm
Height	60 mm
Net weight	1.71 kg
Gross weight	1.83 kg



Mounted

ML-A 045.1030.11 AOB

Monoline 045 | Surface-Mounted & Pendant (1xLED 26W 830/3000K 2510lm)



	C0	C90	C180	C270
0°	395	395	395	395
15°	371	373	371	373
30°	307	316	307	316
45°	225	238	225	238
60°	139	150	139	150
75°	58	61	58	61
90°	0	0	0	0

cd / 1000 lm

Offset [m]	Cone width [m]		Illuminance [lx]
3.0	7.08	7.66	110.3
6.0	14.16	15.32	27.6
9.0	21.25	22.98	12.3
12.0	28.33	30.64	6.9
15.0	35.41	38.30	4.4

η	LED
Efficiency	97 lm/W
Direct/Indirect	↓ 100% / ↑ 0%
System Power	26 W
UGR	X=4H, Y=8H
Reflection factors	70/50/20
UGR C0/C180	25.7
UGR C90/C270	26.0
CIE Flux Codes	50 81 96 100 100
Ra/CRI	>80

LTS

Accessories



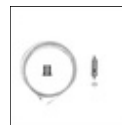
LK-Z045.103.03
wire-rope kit with feed-in
(length: 3000 mm, 3-core)



LK-Z045.103.05
wire-rope kit with feed-in
(length: 5000 mm, 3-core)



LK-Z045.104.03
wire-rope kit without feed-in
(length: 3000 mm)



LK-Z045.104.05
wire-rope kit without feed-in
(length: 5000 mm)