

ML-A 045.1040.11 APB/DALI



Description

- linear luminaire for direct ceiling or suspended mounting
- symmetrical light distribution and illumination
- outstanding ease of maintenance
- no UV and thermal emissions
- wire-rope suspensions (with feed-in) to be ordered separately
- housing made from aluminium
- end covers made from die-cast zinc
- prismatic flush acrylic glass diffuser with profile guide and tool-free snap-in technology
- direct ceiling mounting via screw fixing
- 5-pole terminal block
- ballast (LED converter DALI, dimmable) integrated

Notes

The linear thermal expansion of the aluminium profile is about 0.3 mm per meter at $dT = 10$ Kelvin. IP40 only applies in combination with mounted acrylic glass diffuser mounted acrylic glass profile.

Colours	Article no.	EAN
silver anodised	663108	4043544721730
black	663109	4043544721747
white	663110	4043544721754

Standard options



Special options

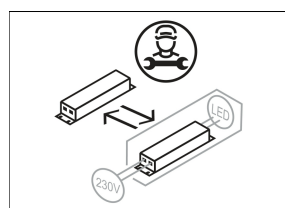
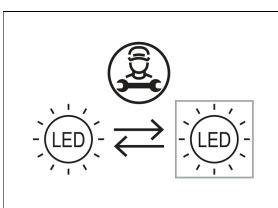
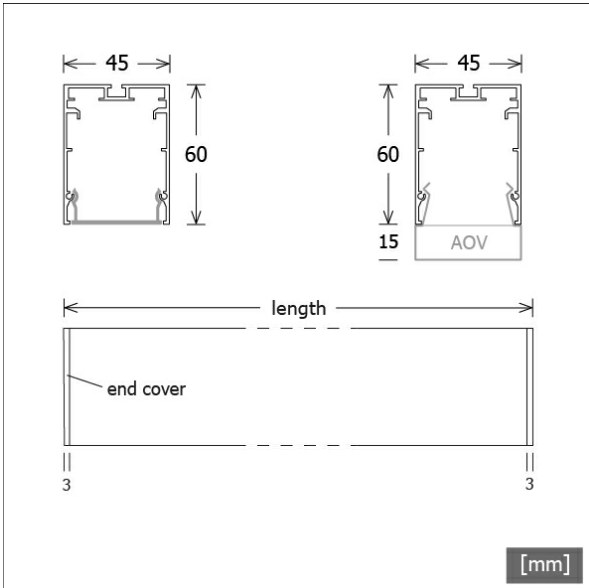


Lighting data / Norms

Lamps	LED linear / CRI 80 / 4000 K
Lifetime	L90 B50 50.000 h L80 B50 100.000 h L80 B20 50.000 h
System power	25.7 W
Luminaire luminous flux	2500 lm
System efficiency	97.27 lm/W
Module efficiency	164.17 lm/W
UGR class	≤25
Supply voltage	220 - 240 V / 50 - 60 Hz
Protection class	I
Type of protection	IP40

Dimensions / Weights

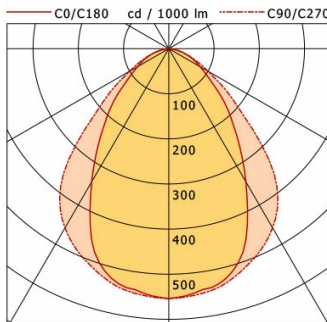
Length	1136 mm
Width	45 mm
Height	60 mm
Net weight	1.83 kg
Gross weight	1.95 kg



Mounted

ML-A 045.1040.11 APB/DALI

Monoline 045 | Surface-Mounted & Pendant (1xLED 26W 840/4000K 2500lm)



	C0	C90	C180	C270
0°	554	554	554	554
15°	519	530	519	530
30°	341	459	341	459
45°	179	277	179	277
60°	80	100	80	100
75°	31	31	31	31
90°	0	0	0	0

cd / 1000 lm

Offset [m]	Cone width [m]	Illuminance [lx]
3.0	4.21 6.00	153.9
6.0	8.42 12.00	38.5
9.0	12.63 18.00	17.1
12.0	16.84 23.99	9.6
15.0	21.05 29.99	6.2

η	LED
Efficiency	96 lm/W
Direct/Indirect	↓ 100% / ↑ 0%
System Power	26 W
UGR	X=4H, Y=8H
Reflection factors	70/50/20
UGR C0/C180	22.1
UGR C90/C270	22.9
CIE Flux Codes	65 90 98 100 100
Ra/CRI	>80

LTS

Accessories



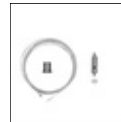
LK-Z045.103.03/DIM
wire-rope kit with feed-in DALI
(5-core, length: 3000 mm)



LK-Z045.103.05/DIM
wire-rope kit with feed-in DALI
(5-core, length: 5000 mm)



LK-Z045.104.03
wire-rope kit without feed-in
(length: 3000 mm)



LK-Z045.104.05
wire-rope kit without feed-in
(length: 5000 mm)



ZB-OR DONGLE
Organic Response IR dongle kit



ZB-OR GATEWAY
Organic Response IoT Gateway Cascade Series



ZB-OR-A SENSOR
Organic Response sensor for surface mounting



ZB-OR-P SENSOR/3000
Organic Response sensor for pendant mounting