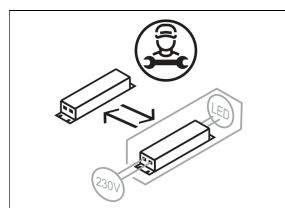
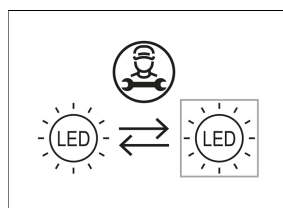
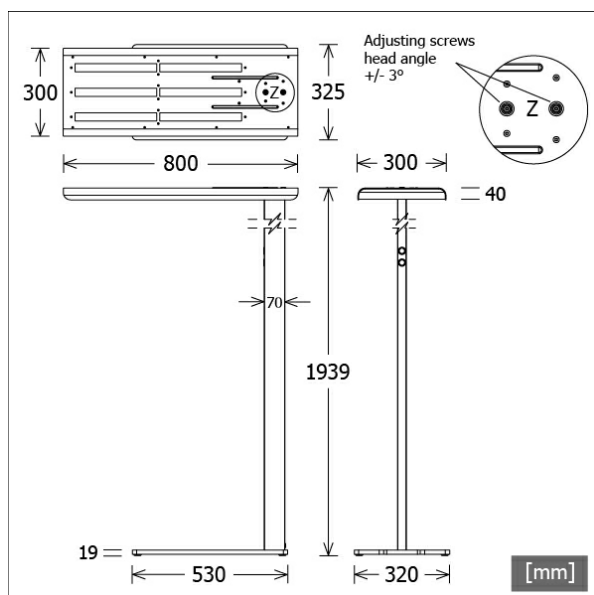


OPT-S 110.830.1/DIM



| Colours | Article no. | EAN |
|-------------|-------------|---------------|
| black-white | 665476 | 4043544747136 |
| white-white | 665478 | 4043544747150 |



Description

- free-standing luminaire with direct-indirect illumination for uniform and absolutely glare-free workstation lighting
- can be combined with insert luminaire OPT-R... and pendant luminaire OPT-P...
- light component: direct 20% / indirect 80%
- direct and indirect light component with separate dimming and switching
- outstanding ease of maintenance
- no UV and thermal emissions
- innovative tube technology for glare-free illumination
- advanced lens optics with a standard beam angle of 60°
- light-head made from aluminium with micropoint optics rounded design (desired angle can be adjusted via screws by +/- 3°)
- colour combinations top/bottom of light-head: black/white, white/white and RAL/RAL
- rectangular stand made from aluminium
- standard base made from steel St37 (ZBB 002 please indicate when ordering)
- switchDIM with memory function (ON/OFF short pushbutton press, dimming UP/DOWN long pushbutton press)
- central plug connection to mains (length of connecting cable: approx. 3000 mm), white/black luminaire / black cable, white/white luminaire / white cable
- ballast (LED converter) integrated in the stand

Standard options



Special options



Lighting data / Norms

| | |
|-------------------------|------------------------------|
| Lamps | LED Matrix / CRI 80 / 3000 K |
| EPREL light sources | 833899 |
| | L90 B50 50.000 h |
| | L80 B50 100.000 h |
| | L80 B20 50.000 h |
| Lifetime | |
| System power | 85.5 W |
| Luminaire luminous flux | 9980 lm |
| System efficiency | 116.72 lm/W |
| Module efficiency | 179.70 lm/W |
| UGR class | ≤16 |
| Supply voltage | 220 - 240 V / 50 - 60 Hz |
| Protection class | I |
| Type of protection | IP20 |

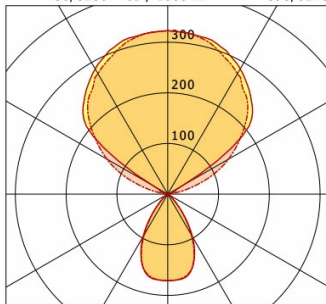
Dimensions / Weights

| | |
|--------------|----------|
| Length | 800 mm |
| Width | 325 mm |
| Height | 1939 mm |
| Net weight | 22.26 kg |
| Gross weight | 23.57 kg |

OPT-S 110.830.1/DIM

Optico | Free-Standing (1xLED 86W 830/3000K 9980lm)

— C0/C180 cd / 1000 lm - - - C90/C270



| | C0 | C90 | C180 | C270 |
|--------------|-----|-----|------|------|
| 0° | 171 | 171 | 171 | 171 |
| 30° | 97 | 93 | 97 | 93 |
| 60° | 3 | 3 | 3 | 3 |
| 90° | 0 | 0 | 0 | 0 |
| 120° | 34 | 139 | 34 | 139 |
| 150° | 286 | 275 | 286 | 275 |
| 180° | 323 | 323 | 323 | 323 |
| cd / 1000 lm | | | | |

LDC unsuitable for cone representation.
The C0 angle is oversized.

| | |
|-----------------------|------------------|
| η | LED |
| Efficiency | 118 lm/W |
| Direct/Indirect | ↓ 18% / ↑ 82% |
| System Power | 86 W |
| UGR | X=4H, Y=8H |
| Reflection factors | 70/50/20 |
| UGR C0/C180 | <10.0 |
| UGR C90/C270 | <10.0 |
| CIE Flux Codes | 89 99 100 18 101 |
| Ra/CRI | >80 |

LTS