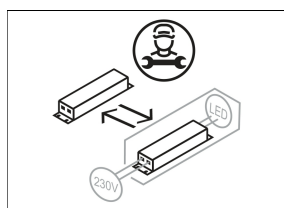
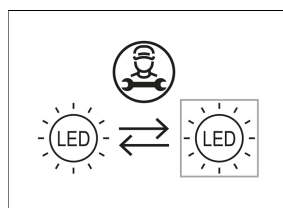
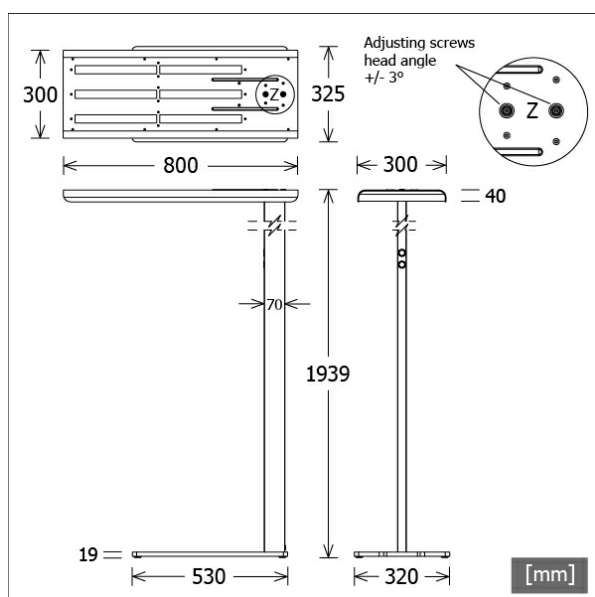


OPT-S 110.840.1/SENSO



Colours	Article no.	EAN
black-white	665485	4043544747228
white-white	665487	4043544747242



Description

- free-standing luminaire with direct-indirect illumination for uniform and absolutely glare-free workstation lighting
- can be combined with insert luminaire OPT-R... and pendant luminaire OPT-P...
- light component: direct 20% / indirect 80%
- outstanding ease of maintenance
- no UV and thermal emissions
- innovative tube technology for glare-free illumination
- advanced lens optics with a standard beam angle of 60°
- light-head made from aluminium with micropoint optics rounded design (desired angle can be adjusted via screws by +/- 3°)
- colour combinations top/bottom of light-head: black/white, white/white and RAL/RAL
- rectangular stand made from aluminium
- standard base made from steel St37 (ZBB 002 please indicate when ordering)
- automatic sensors for presence and daylight
- central plug connection to mains (length of connecting cable: approx. 3000 mm), white/black luminaire / black cable, white/white luminaire / white cable
- ballast (LED converter) integrated in the stand

Standard options



Special options



Lighting data / Norms

Lamps	LED Matrix / CRI 80 / 3000 K
EPREL light sources	833900
	L90 B50 50.000 h
	L80 B50 100.000 h
	L80 B20 50.000 h
Lifetime	
System power	85.5 W
Luminaire luminous flux	10610 lm
System efficiency	124.09 lm/W
Module efficiency	188.50 lm/W
UGR class	≤16
Supply voltage	220 - 240 V / 50 - 60 Hz
Protection class	I
Type of protection	IP20

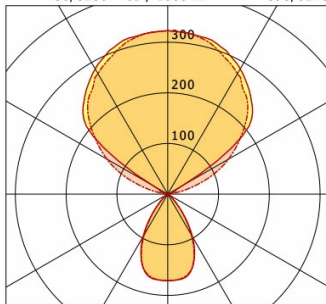
Dimensions / Weights

Length	800 mm
Width	325 mm
Height	1939 mm
Net weight	22.26 kg
Gross weight	23.57 kg

OPT-S 110.840.1/SENSO

Optico | Free-Standing (1xLED 86W 840/4000K 10610lm)

— C0/C180 cd / 1000 lm - - - C90/C270



	C0	C90	C180	C270
0°	171	171	171	171
30°	97	93	97	93
60°	3	3	3	3
90°	0	0	0	0
120°	34	139	34	139
150°	286	275	286	275
180°	323	323	323	323
cd / 1000 lm				

LDC unsuitable for cone representation.
The C0 angle is oversized.

η	LED
Efficiency	125 lm/W
Direct/Indirect	↓ 18% / ↑ 82%
System Power	86 W
UGR	X=4H, Y=8H
Reflection factors	70/50/20
UGR C0/C180	<10.0
UGR C90/C270	<10.0
CIE Flux Codes	89 99 100 18 101
Ra/CRI	>80

LTS

Accessories



ZBC 001
remote control