

CSALP 40.1027.25



Description

- recessed downlight with wide range of applications
- outstanding ease of maintenance
- no UV and thermal emissions
- thermal management with passive cooling (heat sink made from aluminium)
- specular aluminium reflector with precise symmetrical beam characteristic for optimum light output and glare-free lighting
- front ring and recessed ring made from die-cast zinc
- tool-free ceiling mounting via leaf springs (adjustable ceiling thickness)
- luminaire and ballast permanently connected via cable (length: 500 mm), ballast ready for mains connection
- ballast (LED converter) included (external placement)

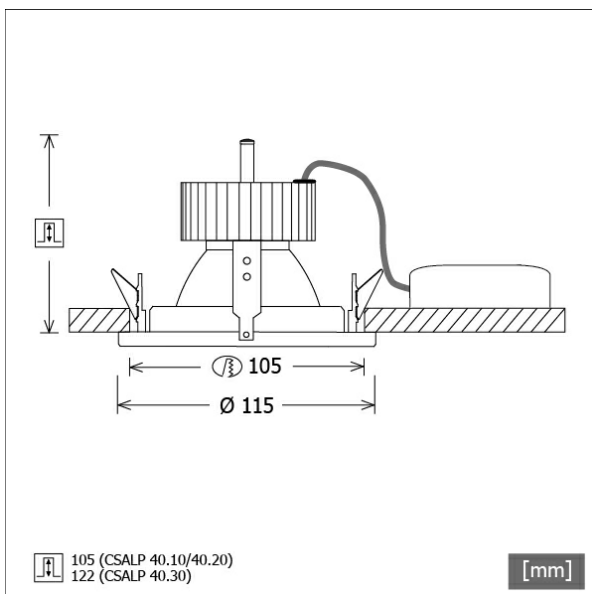
Standard options



Special options



Colours	Article no.	EAN
black	633282	4043544402219
silver	634672	4043544368409
white	634673	4043544368416



Lighting data / Norms

Lamps	LED Spot / CRI 80 / 2700 K
EPREL light sources	848120
	L90 B50 50.000 h
	L80 B50 100.000 h
	L80 B20 50.000 h
Lifetime	
System power	14.0 W
Luminaire luminous flux	1360 lm
System efficiency	97.14 lm/W
Module efficiency	127.18 lm/W
UGR class	≤19
Beam angle	25°
Supply voltage	220 - 240 V / 50 - 60 Hz
Protection class	II
Type of protection	IP20

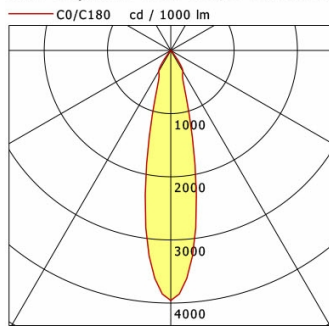
Dimensions / Weights

Outer diameter	115 mm
Height	110 mm
Cut-out (Ø)	105 mm
Ceiling thickness	3.0 - 25.0 mm
Recessed depth	105 mm
Net weight	0.60 kg
Gross weight	0.64 kg



CSALP 40.1027.25

CSA 40 (1xLED 14W 827/2700K 1360lm 25 °)



	C0	C90	C180	C270
0°	3960	3960	3960	3960
15°	1219	1219	1219	1219
30°	384	384	384	384
45°	5	5	5	5
60°	3	3	3	3
75°	2	2	2	2
90°	0	0	0	0
cd / 1000 lm				

Offset [m]	Cone width [m]	Illuminance [lx]
3.0	1.21	598.3
6.0	2.43	149.6
9.0	3.64	66.5
12.0	4.86	37.4
15.0	6.07	23.9

η	LED
Efficiency	97 lm/W
Direct/Indirect	↓ 100% / ↑ 0%
System Power	14 W
UGR	X=4H, Y=8H
Reflection factors	70/50/20
UGR C0/C180	16.9
UGR C90/C270	16.9
CIE Flux Codes	99 99 100 100 100
Ra/CRI	>80

LTS