

SCELP 401.3030.15



Description

- recessed spotlight with wide range of applications
- light-head pivots through 27° on gimbals
- outstanding ease of maintenance
- no UV and thermal emissions
- thermal management with passive cooling (heat sink made from aluminium)
- gimbals made from die-cast zinc
- specular aluminium reflector with precise symmetrical beam characteristic for optimum light output and glare-free lighting
- recessed ring made from sheet steel
- clear safety glass
- tool-free ceiling mounting via quick-action clamping springs (automatic adjustment of the ceiling thickness)
- luminaire and ballast permanently connected via cable (length: 500 mm), ballast ready for mains connection
- ballast (LED converter) included (external placement)

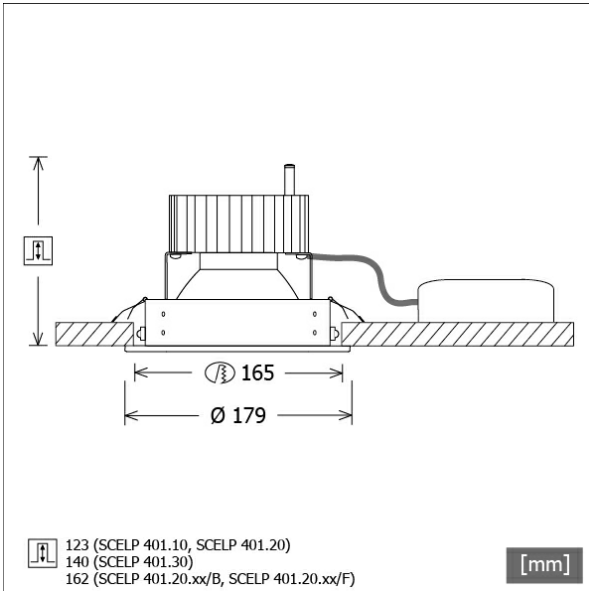
Standard options



Special options



Colours	Article no.	EAN
black	632261	4043544407245
white	632262	4043544407252
silver	632263	4043544407269

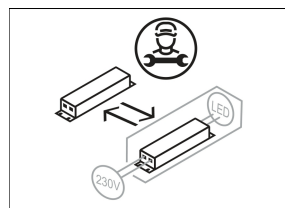
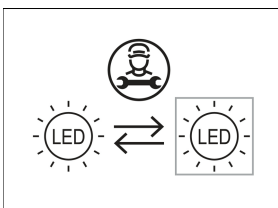


Lighting data / Norms

Lamps	LED Spot / CRI 80 / 3000 K
EPREL light sources	851239
Lifetime	L90 B50 50.000 h L80 B50 100.000 h L80 B20 50.000 h
System power	32.8 W
Luminaire luminous flux	3600 lm
System efficiency	109.75 lm/W
Module efficiency	158.91 lm/W
UGR class	≤22
Beam range	Spot
Beam angle	14°
Supply voltage	220 - 240 V / 50 - 60 Hz
Protection class	II
Type of protection	IP20

Dimensions / Weights

Outer diameter	179 mm
Height	144 mm
Cut-out (Ø)	165 mm
Ceiling thickness	10.0 - 30.0 mm
Recessed depth	140 mm
Diameter of light head	140 mm
Net weight	1.17 kg



Recessed Spotlights · Scene 4

SCELP 401.3030.15

Gross weight



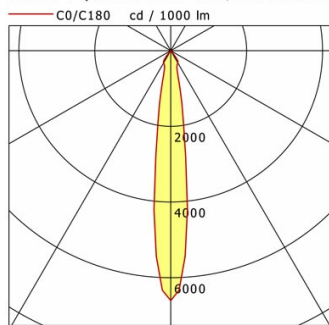
LTS
LOVE TO SHINE

1.24 kg

SCELP 401.3030.15

SCELP 401.3030.15

Scene 4 (1xLED 33W 830/3000K 3600lm 15°)



	C0	C90	C180	C270
0°	6604	6604	6604	6604
15°	824	824	824	824
30°	372	372	372	372
45°	18	18	18	18
60°	1	1	1	1
75°	0	0	0	0
90°	0	0	0	0
cd / 1000 lm				

Offset [m]	Cone width [m]	Illuminance [lx]
3.0	0.76	2641.6
6.0	1.52	660.4
9.0	2.28	293.5
12.0	3.04	165.1
15.0	3.80	105.7

η	LED
Efficiency	110 lm/W
Direct/Indirect	↓ 100% / ↑ 0%
System Power	33 W
UGR	X=4H, Y=8H
Reflection factors	70/50/20
UGR C0/C180	20.0
UGR C90/C270	20.0
CIE Flux Codes	98 100 100 100 100
Ra/CRI	>80

LTS

Accessories



ZBW20
honeycomb louvre