

ORYO-P 101.940.45/CAS



Description

- filigree pendant luminaire with slightly conical light-head
- outstanding ease of maintenance
- no UV and thermal emissions
- anti-glare shield and decorative anti-glare ring available as accessories
- light-head made from die-cast aluminium
- innovative thermal management with design-integrated passive cooling
- high performance specular aluminium reflector with precise symmetrical beam characteristic for optimum light output and glare-free lighting
- black internal thermoplastic front ring
- black connecting cable (length: 1000 mm, other cable lengths on request)
- clear acrylic safety glass
- ballast with Casambi technology for wireless light control via app or compatible switch
- 3-phase track adapter (ONETrack) with integrated DALI ballast for wireless communication network

Notes

Not compatible with ONETrack Trimless tracks.

Colours	Article no.	EAN
silver	659286	4043544784858
black	659287	4043544784865
white	659288	4043544784872

Standard options

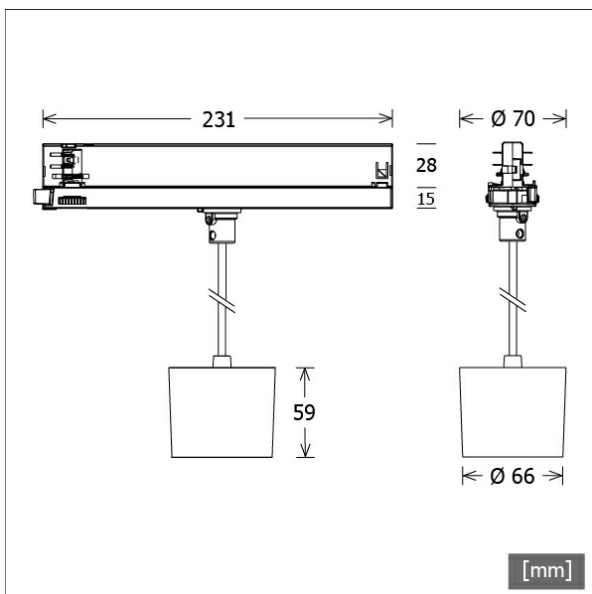


Lighting data / Norms

Lamps	LED Spot / CRI 90 / 4000 K
EPREL light sources	854571
	L90 B50 50.000 h
	L80 B50 100.000 h
	L80 B20 50.000 h
Lifetime	
System power	20.0 W
Luminaire luminous flux	1940 lm
System efficiency	97.00 lm/W
Module efficiency	140.95 lm/W
UGR class	≤22
Beam range	Wide Flood
Beam angle	46°
Supply voltage	220 - 240 V / 50 - 60 Hz
Protection class	II
Type of protection	IP20

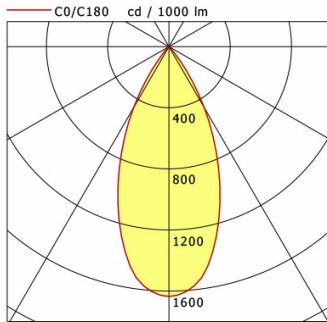
Dimensions / Weights

Outer diameter	66 mm
Height	59 mm
Diameter of light head	66 mm
Net weight	0.50 kg
Gross weight	0.60 kg



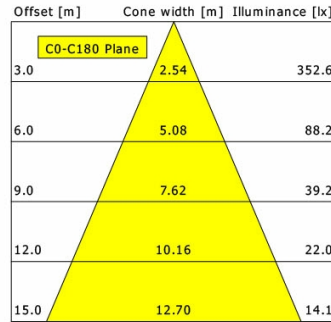
ORYO-P 101.940.45/CAS

Oryo 100 | Pendant (1xLED 20W 940/4000K 1940lm)



	C0	C90	C180	C270
0°	1636	1636	1636	1636
15°	1232	1232	1232	1232
30°	461	461	461	461
45°	24	24	24	24
60°	8	8	8	8
75°	2	2	2	2
90°	0	0	0	0

cd / 1000 lm



η	LED
Efficiency	97 lm/W
Direct/Indirect	↓ 100% / ↑ 0%
System Power	20 W
UGR	X=4H, Y=8H
Reflection factors	70/50/20
UGR C0/C180	21.7
UGR C90/C270	21.7
CIE Flux Codes	96 99 100 100 100
Ra/CRI	>90

LTS

Accessories



ST-A 10/9000A-1-ST
surface-mounted track ONETrack Advance with data bus
(length: 1000 mm)



ST-A 20/9000A-2-ST
surface-mounted track ONETrack Advance with data bus
(length: 2000 mm)



ST-A 30/9000A-3-ST
surface-mounted track ONETrack Advance with data bus
(length: 3000 mm)



ST-A 40/9000A-4-ST
surface-mounted track ONETrack Advance with data bus
(length: 4000 mm)



ST-E 10/9000-1-R
recessed track ONETrack with data bus
(length: 1000 mm)



ST-E 20/9000-2-R
recessed track ONETrack with data bus
(length: 2000 mm)



ST-E 30/9000-3-R
recessed track ONETrack with data bus
(length: 3000 mm)



ST-E 40/9000-4-R
recessed track ONETrack with data bus
(length: 4000 mm)



ZB-AGS 001
anti-glare shield



ZB-DAR 001
decorative anti-glare ring



ZBW 88
honeycomb louvre