

ORYO-P 203.930.25/CAS



Description

- pendant luminaire with slightly conical light-head
- outstanding ease of maintenance
- no UV and thermal emissions
- anti-glare shield and decorative anti-glare ring available as accessories
- light-head made from die-cast aluminium
- innovative thermal management with design-integrated passive cooling
- high performance specular aluminium reflector with precise symmetrical beam characteristic for optimum light output and glare-free lighting
- black internal thermoplastic front ring
- black connecting cable (length: 1000 mm, other cable lengths on request)
- clear safety glass
- ballast with Casambi technology for wireless light control via app or compatible switch
- 3-phase track adapter (ONETrack) with integrated DALI ballast for wireless communication network

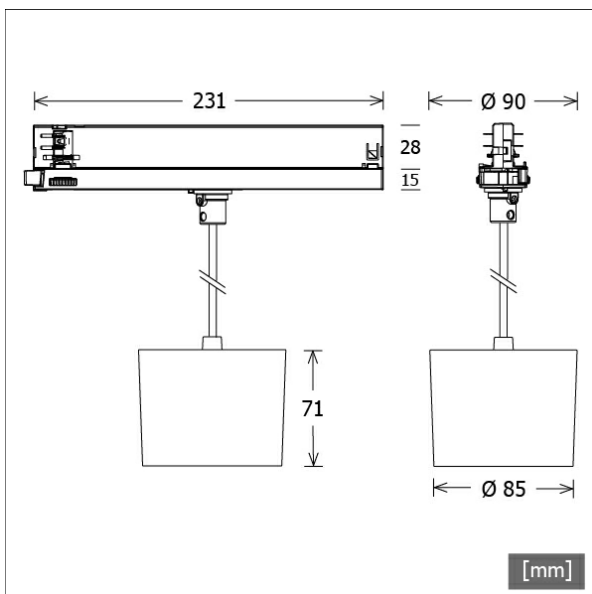
Notes

Not compatible with ONETrack Trimless tracks.

Standard options



Colours	Article no.	EAN
silver	659219	4043544784193
black	659220	4043544784209
white	659221	4043544784216



Lighting data / Norms

Lamps	LED Spot / CRI 90 / 3000 K
EPREL light sources	794668
Lifetime	L90 B50 50.000 h L80 B50 100.000 h L80 B20 50.000 h
System power	30.0 W
Luminaire luminous flux	3150 lm
System efficiency	105.00 lm/W
Module efficiency	142.00 lm/W
UGR class	≤19
Beam range	Medium Flood
Beam angle	29°
Supply voltage	220 - 240 V / 50 - 60 Hz
Protection class	II
Type of protection	IP20

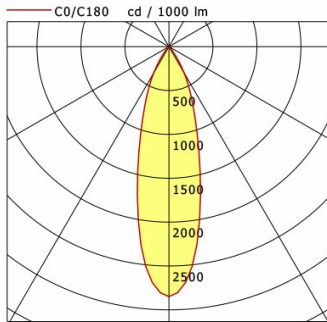
Dimensions / Weights

Outer diameter	85 mm
Height	71 mm
Diameter of light head	85 mm
Net weight	0.72 kg
Gross weight	0.82 kg



ORYO-P 203.930.25/CAS

Oryo 200 | Pendant (1xLED 30W 930/3000K 3150lm)



	C0	C90	C180	C270
0°	2848	2848	2848	2848
15°	1347	1347	1347	1347
30°	346	346	346	346
45°	12	12	12	12
60°	7	7	7	7
75°	1	1	1	1
90°	0	0	0	0

cd / 1000 lm

Offset [m]	Cone width [m]	Illuminance [lx]
3.0	1.54	996.9
6.0	3.08	249.2
9.0	4.62	110.8
12.0	6.16	62.3
15.0	7.70	39.9

C0-C180 Plane

η	LED
Efficiency	105 lm/W
Direct/Indirect	↓ 100% / ↑ 0%
System Power	30 W
UGR	X=4H, Y=8H
Reflection factors	70/50/20
UGR C0/C180	19.0
UGR C90/C270	19.0
CIE Flux Codes	98 100 100 100 100
Ra/CRI	>90

LTS

Accessories



ST-A 10/9000A-1-ST
surface-mounted track ONETrack Advance with data bus
(length: 1000 mm)



ST-A 20/9000A-2-ST
surface-mounted track ONETrack Advance with data bus
(length: 2000 mm)



ST-A 30/9000A-3-ST
surface-mounted track ONETrack Advance with data bus
(length: 3000 mm)



ST-A 40/9000A-4-ST
surface-mounted track ONETrack Advance with data bus
(length: 4000 mm)



ST-E 10/9000-1-R
recessed track ONETrack with data bus
(length: 1000 mm)



ST-E 20/9000-2-R
recessed track ONETrack with data bus
(length: 2000 mm)



ST-E 30/9000-3-R
recessed track ONETrack with data bus
(length: 3000 mm)



ST-E 40/9000-4-R
recessed track ONETrack with data bus
(length: 4000 mm)



ZB-AGS 002
anti-glare shield



ZB-DAR 002
decorative anti-glare ring



ZBW 89
honeycomb louvre