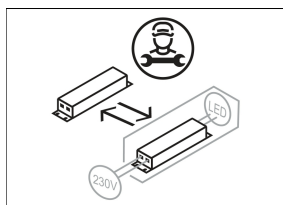
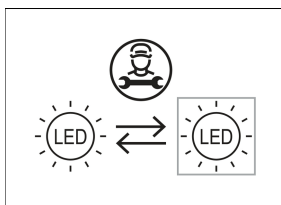
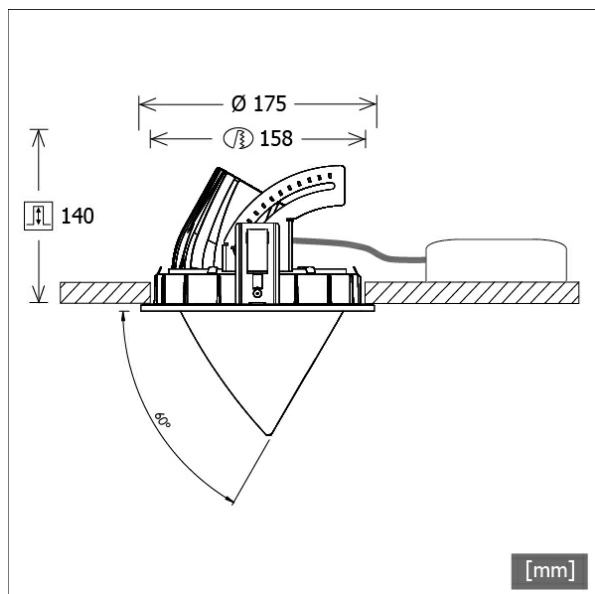


CSARL 71.4040.50/DALI



Colours	Article no.	EAN
black	649842	4043544577450
silver	649843	4043544577467
white	649844	4043544577474



Description

- recessed spotlight with conical light-head
- suitable for lighting of vertical surfaces (shadowless wall lighting up to the ceiling edge)
- light-head rotates through 355° and pivots out through 60°
- outstanding ease of maintenance
- no UV and thermal emissions
- thermal management with passive cooling (heat sink made from die-cast aluminium)
- high performance specular aluminium reflector with precise symmetrical beam characteristic for highest luminous efficiency and best glare-free lighting
- front/recessed ring and light-head made from die-cast zinc
- clear and reflection-free EnergyVision safety glass
- tool-free ceiling mounting via quick-action clamping springs (safety rope, automatic adjustment of the ceiling thickness)
- luminaire and ballast permanently connected via cable (length: 500 mm), ballast ready for mains connection
- ballast (LED converter DALI, dimmable) included (external placement)

Standard options



Special options



Lighting data / Norms

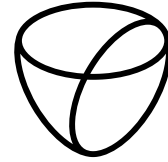
Lamps	LED Spot / CRI 80 / 4000 K
EPREL light sources	848105
	L90 B50 50.000 h
	L80 B50 100.000 h
	L80 B20 50.000 h
Lifetime	
System power	40.0 W
Luminaire luminous flux	4400 lm
System efficiency	110.00 lm/W
Module efficiency	167.61 lm/W
UGR class	≤22
Beam range	Wide Flood
Beam angle	54°
Supply voltage	220 - 240 V / 50 - 60 Hz
Protection class	II
Type of protection	IP20

Dimensions / Weights

Outer diameter	175 mm
Height	145 mm
Cut-out (Ø)	158 mm
Ceiling thickness	1.0 - 25.0 mm

Recessed Spotlights · CSA 71 Round

CSARL 71.4040.50/DALI



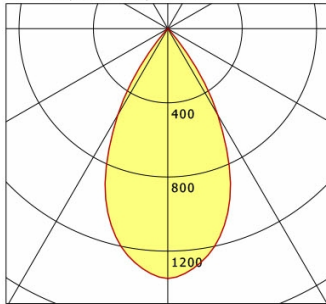
LTS
LOVE TO SHINE

Recessed depth	140 mm
Diameter of light head	114 mm
Net weight	2.73 kg
Gross weight	2.88 kg

CSARL 71.4040.50/DALI

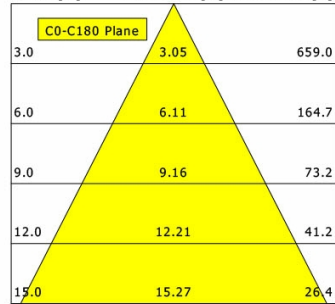
CSA 71 Round (1xLED 40W 840/4000K 4400lm 50 °)

C0/C180 cd / 1000 lm



	C0	C90	C180	C270
0°	1348	1348	1348	1348
15°	1131	1131	1131	1131
30°	538	538	538	538
45°	13	13	13	13
60°	4	4	4	4
75°	3	3	3	3
90°	0	0	0	0
cd / 1000 lm				

Offset [m] Cone width [m] Illuminance [lx]



η	LED
Efficiency	110 lm/W
Direct/Indirect	↓ 100% / ↑ 0%
System Power	40 W
UGR	X=4H, Y=8H
Reflection factors	70/50/20
UGR C0/C180	21.8
UGR C90/C270	21.8
CIE Flux Codes	98 99 100 100 100
Ra/CRI	>80

LTS

Accessories



ZB-OR DONGLE
Organic Response IR dongle kit



ZB-OR GATEWAY
Organic Response IoT Gateway Cascade Series



ZB-OR-R SENSOR
Organic Response sensor for recessed mounting