

LK-L 045.11830.0845.1/DALI



Description

- light-insert made from aluminium with integrated LED module
- no UV and thermal emissions
- almost all strip light lengths can be realised
- 5-pole through-wiring kit included
- curved PMMA diffuser for uniform light distribution
- tool-free snap-in fastening into profile
- 5-pole terminal block, pre-fabricated for 5-pole through-wiring
- ballast (LED converter DALI, dimmable) integrated

Notes

The linear thermal expansion of the aluminium profile is about 0.3 mm per meter at $dT = 10$ Kelvin.

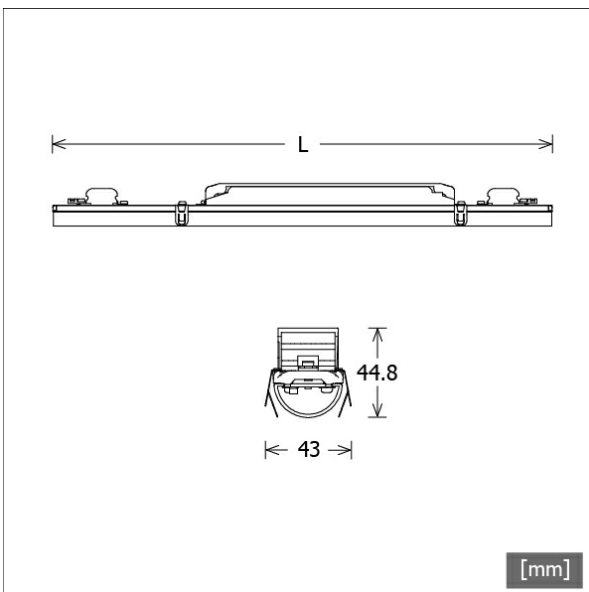
Standard options



Special options



Colours	Article no.	EAN
	669413	4043544810892

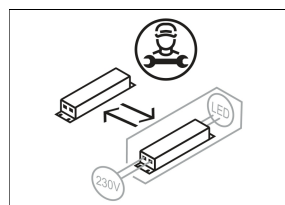
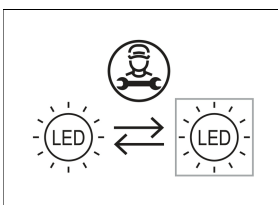


Lighting data / Norms

Lamps	LED linear / CRI 80 / 3000 K
Lifetime	L90 B50 50.000 h L80 B50 100.000 h L80 B20 50.000 h
System power	18.9 W
Luminaire luminous flux	max. 2650 lm
System efficiency	134.39 lm/W
Module efficiency	193.00 lm/W
UGR class	≤28
Supply voltage	220 - 240 V / 50 - 60 Hz
Protection class	I

Dimensions / Weights

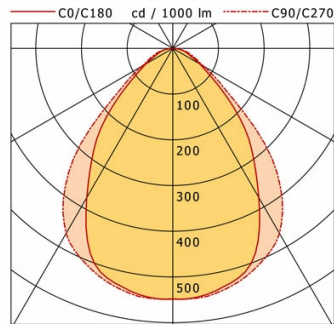
Length	845 mm
Width	43 mm
Height	44 mm
Net weight	0.80 kg
Gross weight	1.00 kg



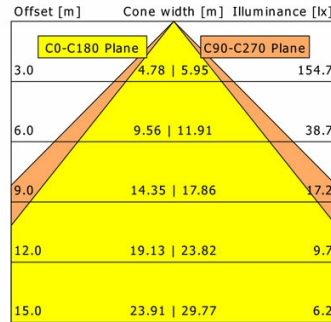
LK-L 045.11830.0845.1/DALI

LK-L 045.11830.0845.1/DALI

Lichtkanal 045 | Light-Insert (APB, 1xLED 19W 830/3000K 2540lm)



	C0	C90	C180	C270
0°	548	548	548	548
15°	526	533	526	533
30°	377	468	377	468
45°	198	271	198	271
60°	68	78	68	78
75°	27	33	27	33
90°	1	0	1	0
cd / 1000 lm				

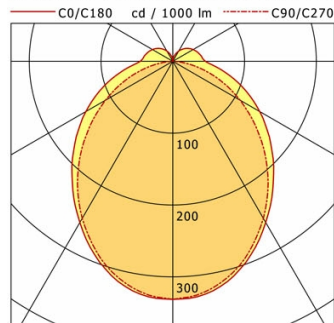


η	LED
Efficiency	134 lm/W
Direct/Indirect	↓ 100% / ↑ 0%
System Power	19 W
UGR	X=4H, Y=8H
Reflection factors	70/50/20
UGR C0/C180	22.7
UGR C90/C270	23.4
CIE Flux Codes	67 91 98 100 100
Ra/CRI	>80

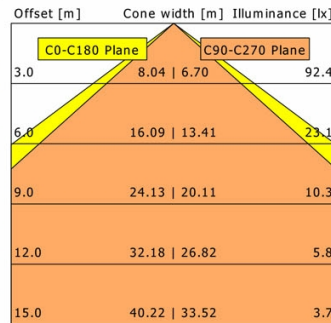
LTS

LK-L 045.11830.0845.1/DALI

Lichtkanal 045 | Light-Insert (AOV-002/005.2, 1xLED 19W 830/3000K 2510lm)



	C0	C90	C180	C270
0°	331	331	331	331
30°	259	252	259	252
60°	140	109	140	109
90°	45	1	45	1
120°	33	0	33	0
150°	16	0	16	0
180°	1	1	1	1
cd / 1000 lm				

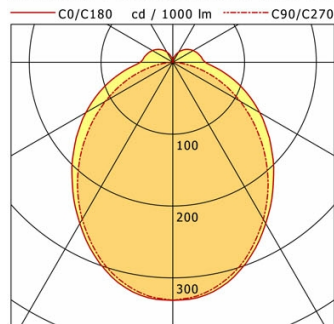


η	LED
Efficiency	132 lm/W
Direct/Indirect	↓ 89% / ↑ 11%
System Power	19 W
UGR	X=4H, Y=8H
Reflection factors	70/50/20
UGR C0/C180	28.2
UGR C90/C270	24.9
CIE Flux Codes	47 76 92 89 100
Ra/CRI	>80

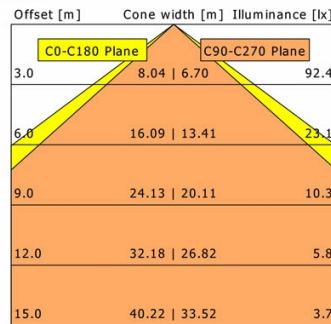
LTS

LK-L 045.11830.0845.1/DALI

Lichtkanal 045 | Light-Insert (AOV-001/003/005.1, 1xLED 19W 830/3000K 2510lm)



	C0	C90	C180	C270
0°	331	331	331	331
30°	259	252	259	252
60°	140	109	140	109
90°	45	1	45	1
120°	33	0	33	0
150°	16	0	16	0
180°	1	1	1	1
cd / 1000 lm				

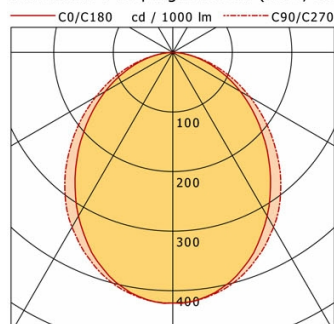


η	LED
Efficiency	132 lm/W
Direct/Indirect	↓ 89% / ↑ 11%
System Power	19 W
UGR	X=4H, Y=8H
Reflection factors	70/50/20
UGR C0/C180	28.2
UGR C90/C270	24.9
CIE Flux Codes	47 76 92 89 100
Ra/CRI	>80

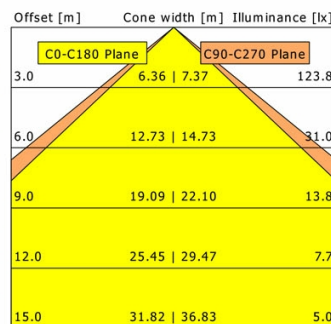
LTS

LK-L 045.11830.0845.1/DALI

Lichtkanal 045 | Light-Insert (AOB, 1xLED 19W 830/3000K 2650lm)



	C0	C90	C180	C270
0°	421	421	421	421
15°	394	399	394	399
30°	317	339	317	339
45°	222	250	222	250
60°	131	150	131	150
75°	54	60	54	60
90°	1	0	1	0
cd / 1000 lm				



η	LED
Efficiency	139 lm/W
Direct/Indirect	↓ 100% / ↑ 0%
System Power	19 W
UGR	X=4H, Y=8H
Reflection factors	70/50/20
UGR C0/C180	26.5
UGR C90/C270	26.7
CIE Flux Codes	52 82 96 100 100
Ra/CRI	>80

LTS