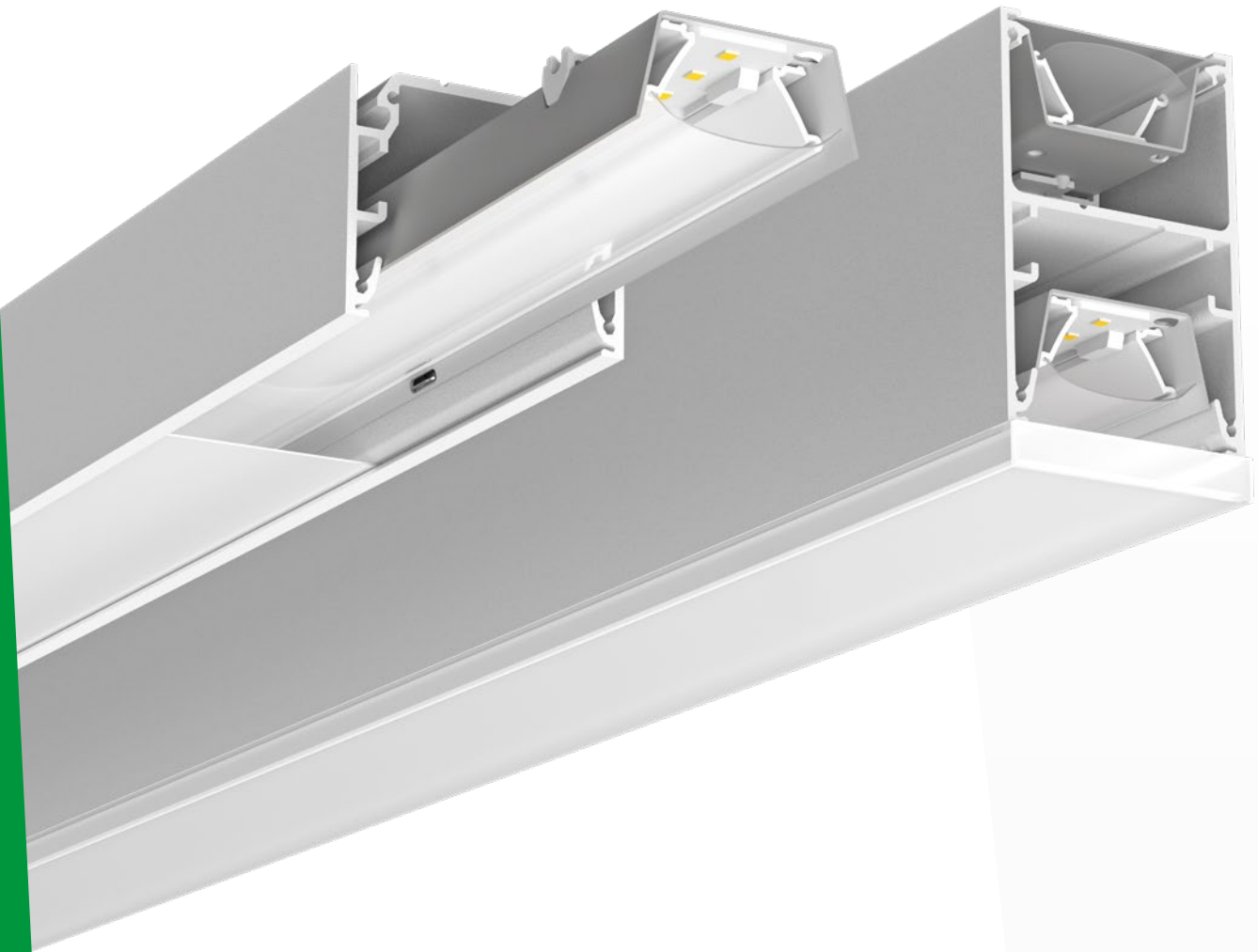


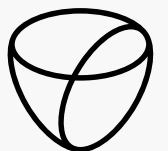
LTS REFURBISHMENT SOLUTION

LED UPGRADE FOR YOUR LICHTKANAL  
FAST. EASY. FUTURE-PROOF.



# LICHTKANAL

REFURBISHMENT  
READY FOR THE FUTURE



LTS

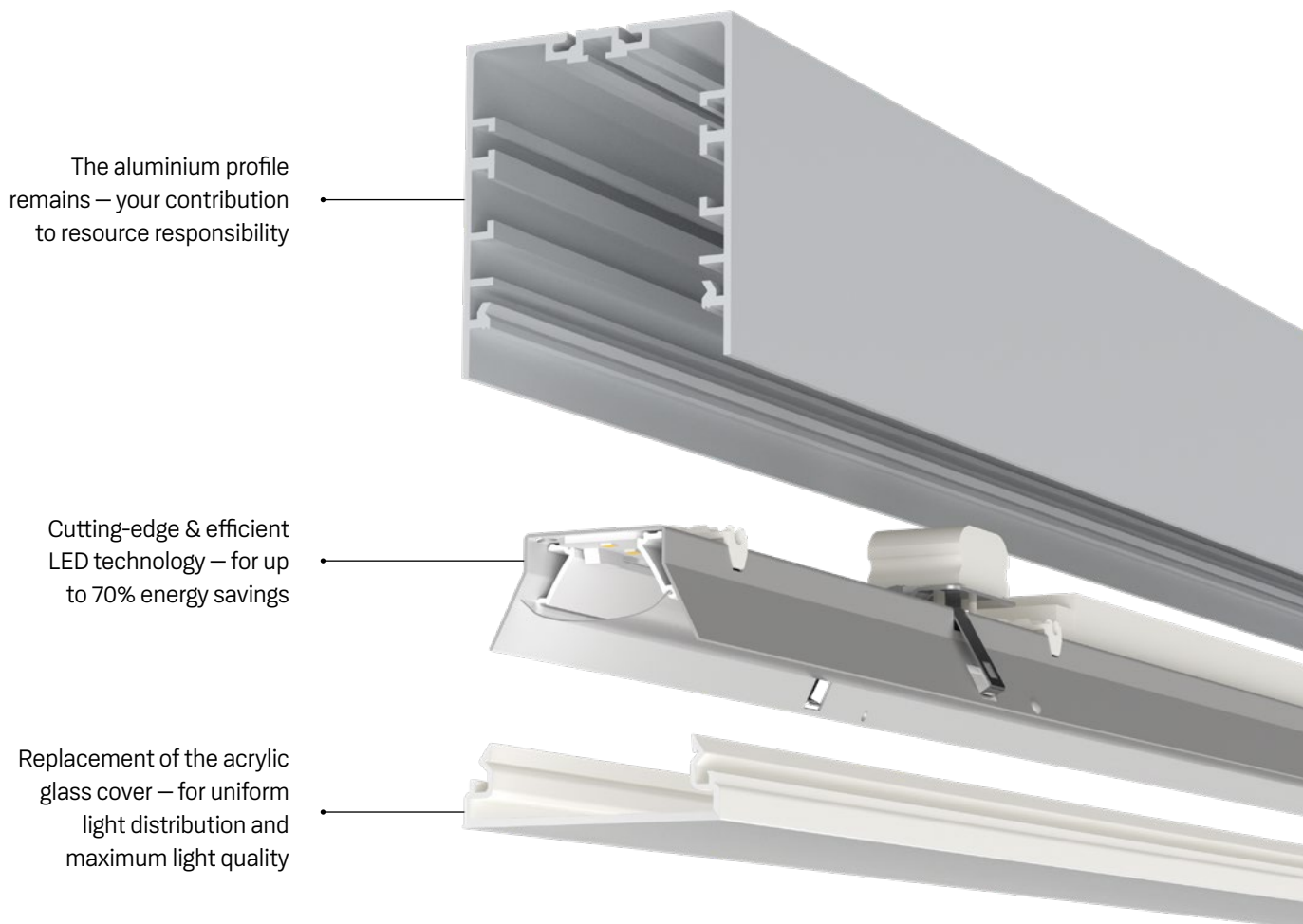
# YOUR LICHTKANAL ALWAYS UP-TO-DATE

EFFICIENT. SUSTAINABLE. ECONOMICAL.

For over 20 years, the LTS Lichtkanal has shaped lighting in retail, office and public buildings. It not only illuminates rooms but also defines them structurally and architecturally – a light line that integrates seamlessly into any architecture.

The high quality of LTS pays off: Even if your Lichtkanal has been in use for decades, it can easily be upgraded with state-of-the-art LED technology to meet future standards. Our approach is based on the principle of responsible resource management: upgrade capability and long service life.

The result: A perfect lighting system – with a new 5-year warranty



# WHY RENOVATE NOW? YOUR ADVANTAGES



**Up to 70% less energy consumption** – thanks to efficient LED technology



**Minimal installation effort** – the housing remains the same, only the lighting technology and cover are upgraded



**Highest quality of light** – homogeneous, glare-free light for every room



**Sustainable and resource-friendly** – avoids unnecessary material waste



**Future-proof and smart** – integration of modern lighting controls for smart, networked lighting and further energy savings



**Rapid payback** – thanks to lower electricity and maintenance costs



**New 5-year warranty** – peace of mind through compliance with all relevant standards and preservation of CE conformity

## Your Lichtkanal is not from LTS?

No problem! On request, we also offer project-specific and certified refurbishment solutions for linear lighting systems from other manufacturers.

Our experienced team will analyse your existing profile and develop a custom-fit refurbishment solution – efficient and compliant with all applicable standards.

Contact us: [anfrage@lts-light.com](mailto:anfrage@lts-light.com)

You can find all information at  
[www.lts-light.com/en/service/refurbishment/](http://www.lts-light.com/en/service/refurbishment/)



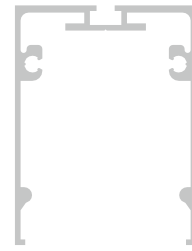
# OUR PROMISE

Tailor-made refurbishment solutions for every Lichtkanal

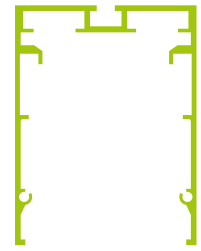
The LTS Lichtkanal is as individual as our customers – for more than 20 years.

Whether a compact classic, powerful all-rounder or a bespoke solution – LTS offers certified and precise refurbishment solutions for every Lichtkanal variant.

Lichtkanal 045 (old)



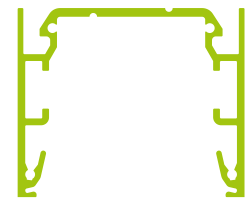
Lichtkanal 045



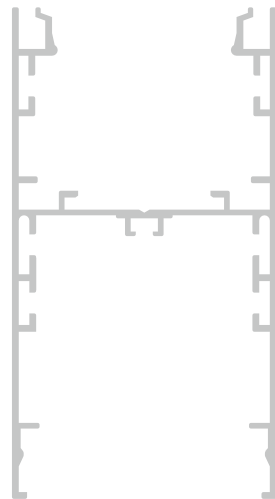
Lichtkanal 060  
Direct-Indirect



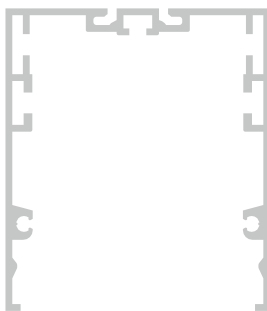
Lichtkanal 060



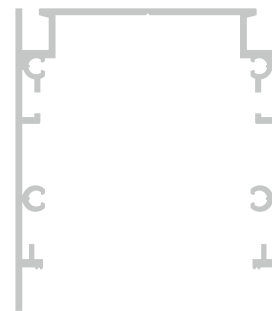
Lichtkanal 070  
Direct-Indirect (old)



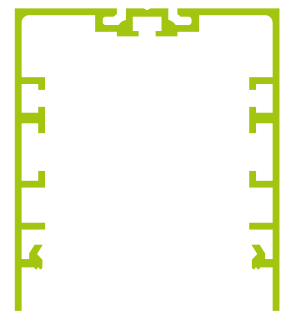
Lichtkanal 070 (old)



Lichtkanal IP54 (old)



Lichtkanal 070

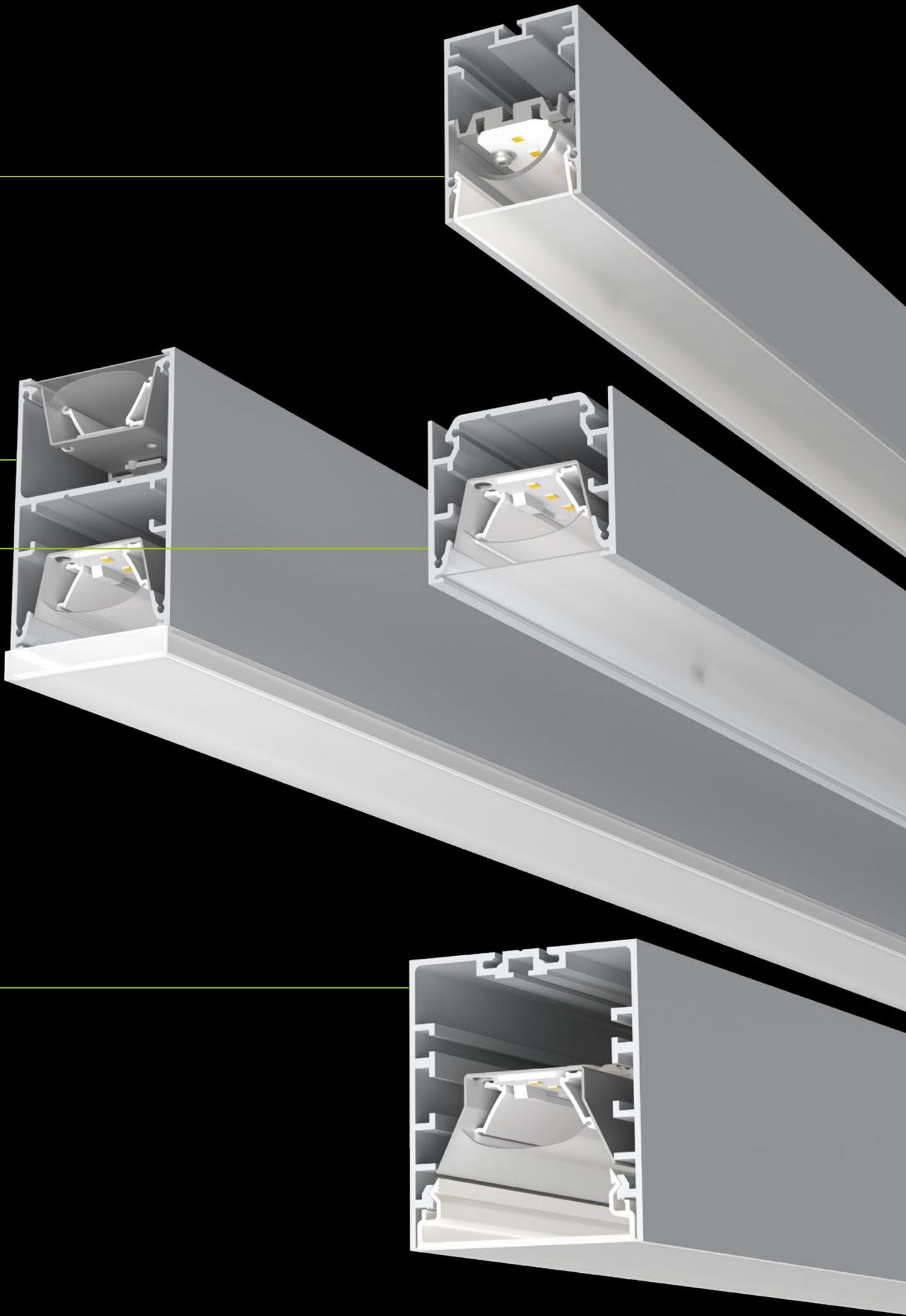


Your Lichtkanal is no longer part of the current LTS portfolio?

No problem: Even for older models like Lichtkanal 110 or Lichtkanal IP54, LTS provides tailored LED light inserts and perfectly matched covers – for a future-proof upgrade with maximum light quality.

Lichtkanal 110 (old)





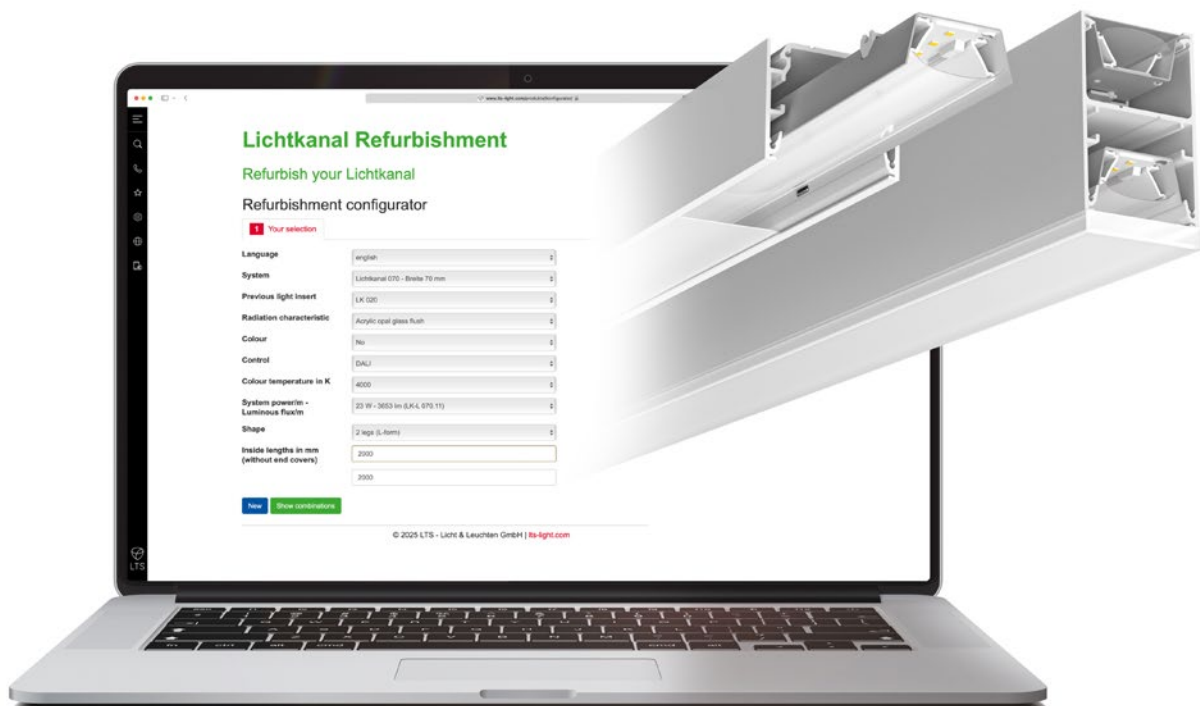
# LICHTKANAL REFURBISHMENT WITH LTS

FAST. EASY. INDIVIDUAL.

**Quick implementation:** Precisely tailored for a continuous and homogeneous light line. Fast installation thanks to existing through-wiring.

**Seamless with personal consultation:** Our LTS experts are here to address your specific needs, support your refurbishment project and advise on additional options like retrofitting with smart control systems for increased efficiency.

**Tailor-made solutions:** Every Lichtkanal refurbishment is delivered precisely matched to your project requirements.



LK REFURBISHMENT CONFIGURATOR ONLINE



You can find the configurator online at:  
[lts-light.com/en/lk-sanierungskonfigurator](https://lts-light.com/en/lk-sanierungskonfigurator)



**Your Lichtkanal, your advantage – renovate now and benefit from it!**  
**You have questions about your renovation project? We advise you personally!**  
Contact:  
LTS Service Technology: +49 7542 9307-514  
LTS Service Quotes: +49 7542 9307-508  
By e-mail at: [anfrage@lts-light.com](mailto:anfrage@lts-light.com)



A Fagerhult Group Company

LTS Licht & Leuchten GmbH  
Waldesch 24  
88069 Tett nang  
Germany

T +49 7542 9307-0  
info@lts-light.com  
lts-light.com